

## Gocce Di Rugiada

*Design: Gianluigi Landoni*



### *Description*

Shaped extra-light glass, back mirrored, 1/2" or 1/4" thick, polished round edge. Different sizes and finishes available. A particular panel on the back of the mirror allows a 360° rotation. Made in Italy.

### *Finishes and materials*

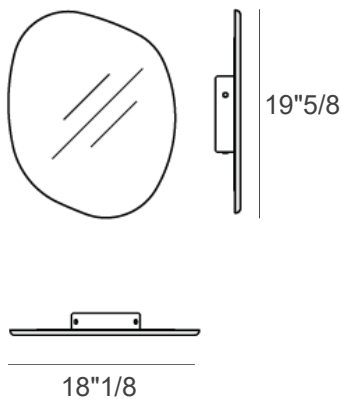
**Mirror:** Extra-light, smoked or bronzed mirrored glass.

## Gocce Di Rugiada

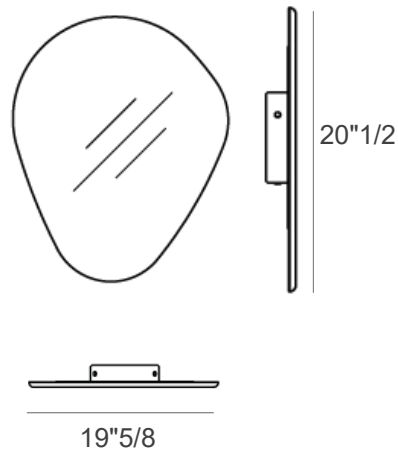
### Dimensions

- A) 18"1/8W x 19"5/8H (Mirror Thickness: 1/4") - Cod. P5031/1
- B) 18"1/8W x 19"5/8H (Mirror Thickness: 1/2") - Cod. P5032
- C) 23"1/4W x 20"1/2H (Mirror Thickness: 1/4") - Cod. P5033/1
- D) 23"1/4W x 20"1/2H (Mirror Thickness: 1/2") - Cod. P5034
- E) 34"1/4W x 22"7/8H (Mirror Thickness: 1/4") - Cod. P5035/1
- F) 34"1/4W x 22"7/8H (Mirror Thickness: 1/2") - Cod. P5036

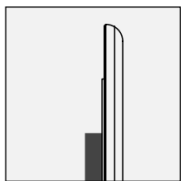
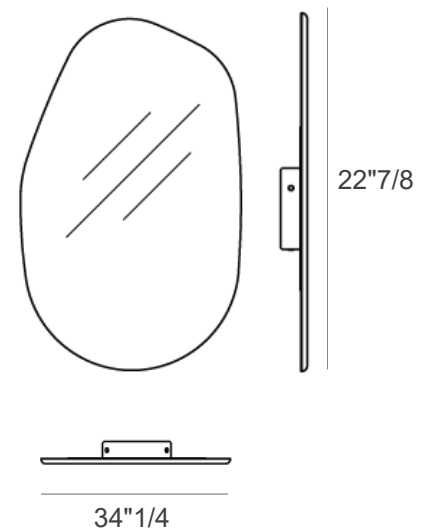
A & B)



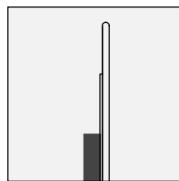
C & D)



E & F)



**Half bullnose edge:**  
1/2" of thickness



**Flat polished edge:**  
1/4" of thickness