

Regolo

Design: Lievore Altherr Molina



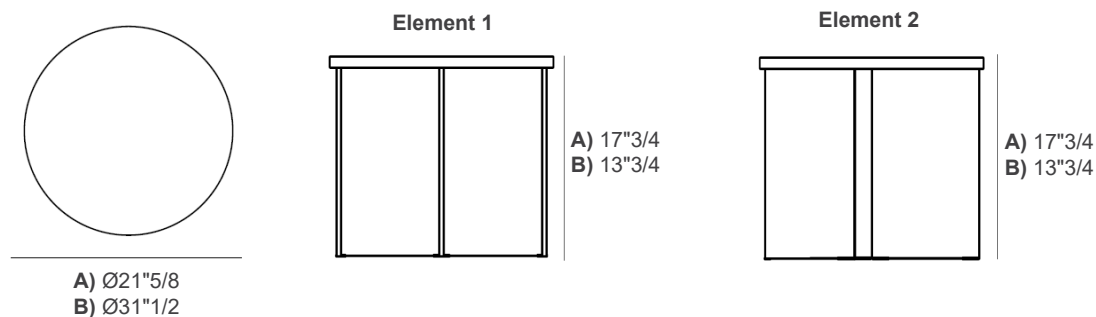
Description

Round coffee table with wooden top, various finishes. The base is composed of a smoked glass element and a lacquered bent glass element. Made in Italy.

Dimensions

A) $\text{Ø}21\frac{5}{8}$ x $17\frac{3}{4}$ H - Cod. P4820

B) $\text{Ø}31\frac{3}{8}$ x $13\frac{3}{4}$ H - Cod. P4822



Finishes and materials

Top: Wood.

Base: Element 1 in smoked glass and Element 2 in lacquered laminated glass.