

Rubino

Design: Guido Porcellato



Description

The Rubino coffee table has a structure in bent, extra light, smoked or lacquered (monotone or two tones) glass. Made in Italy.

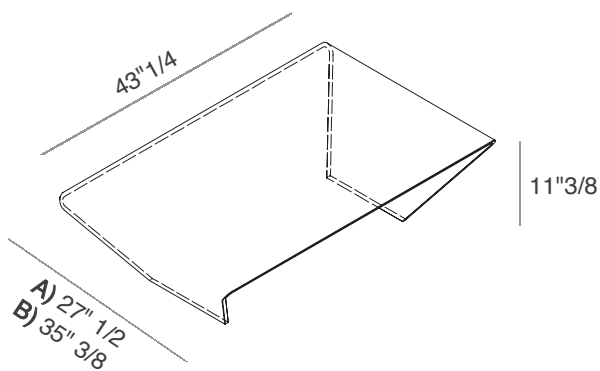
Dimensions

A) 43"1/4W x 27"1/2D x 11"3/8H - Cod. P4552

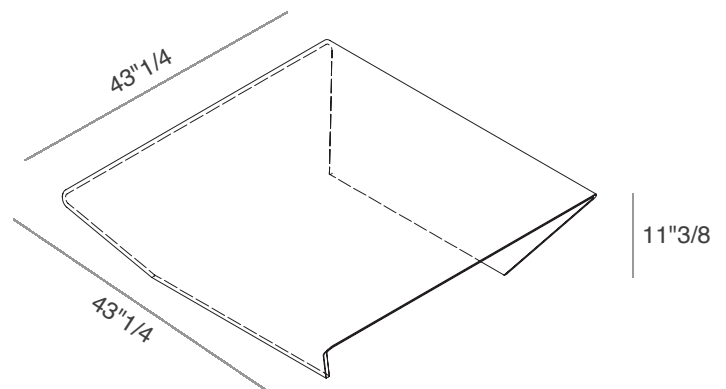
B) 43"1/4W x 35"3/8D x 11"3/8H - Cod. P4554

C) 43"1/4W x 43"1/4D x 11"3/8H - Cod. P4558

Rectangular



Square



Finishes & Materials

Structure: Extraclear, smoked or mono or two-tone lacquered bent glass.