

# Taky

*Design: Guido Porcellato*



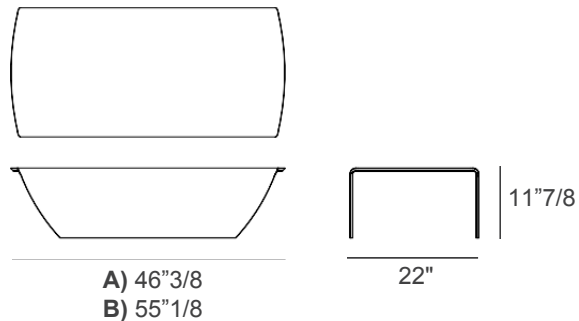
## *Description*

The Taky coffee table has a structure in bent, glass. (monotone or two tones). Made in Italy.

## *Dimensions*

A) 46"3/8W x 22"D x 11"7/8H - Cod. P4190

B) 55"1/8W x 22"D x 11"7/8H - Cod. P4192



## *Finishes & Materials*

**Structure:** Extra light, smoked or lacquered bent glass.

**Please note:** The finishes Tobacco and Champagne can only be used on the external side and need to be protected by a second internal color.