

# Divanitas

*Design: Lievore Altherr Molina*



## *Description*

Lounge Chair with frame is in solid wood and plywood, sprung with interwoven elastic bands. Feet are in burnished cast aluminium series. Optional in wood finishes, natural oak or moor oak.

Padding: Non-deformable differentiated density foamed polyester fibre; under-covering in cotton canvas coupled with polyester fibre.

Cover can be delivered in two different finishes: Single lapped seam or Punto Cavallo stitching.

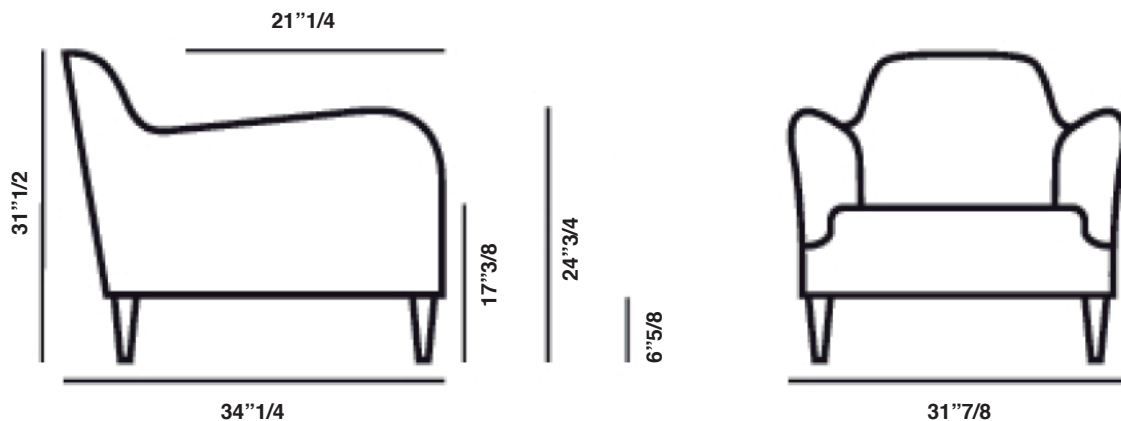
## *Sofa Dimensions*

**Divanitas Low Back:** 31"7/8W x 34"1/4D x 31"1/2H - **Seat Height:** 17"3/8 - **Armrest Height:** 24"3/4

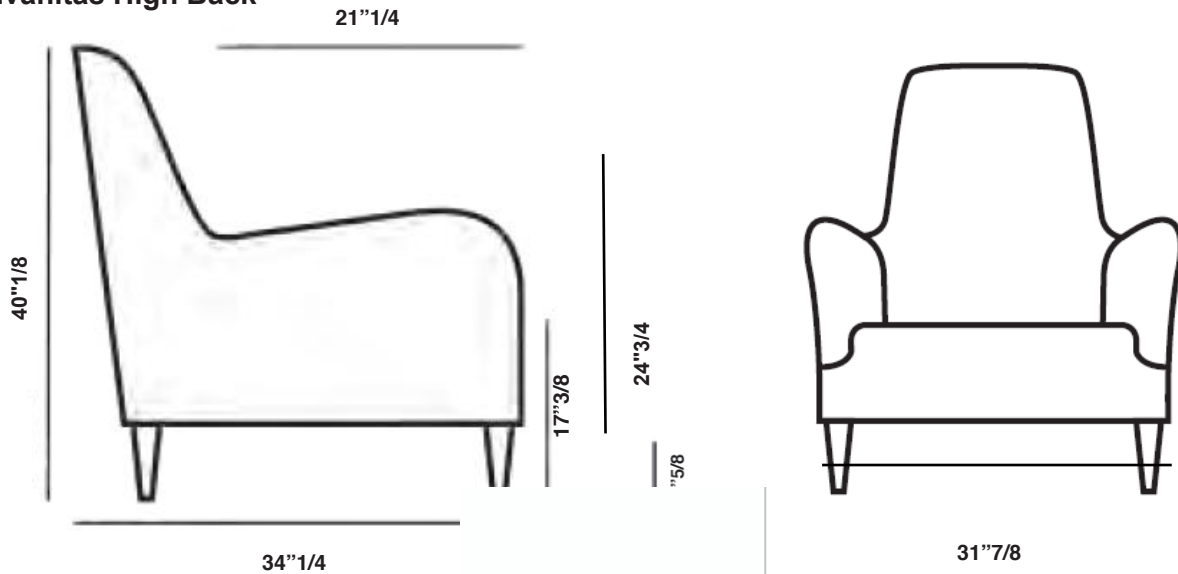
**Divanitas High Back:** 31"7/8W x 34"1/4D x 40"1/8H - **Seat Height:** 17"3/8 - **Armrest Height:** 24"3/4

**Divanitas Ottoman:** 25"5/8W x 18"7/8D x 17"3/8H

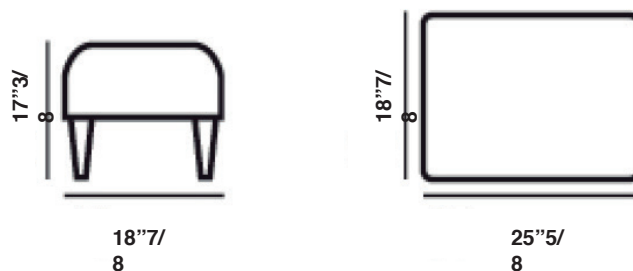
### **Divanitas Low Back**




## Divanitas High Back

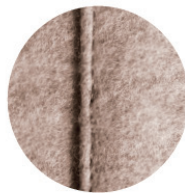


## Divanitas Ottoman

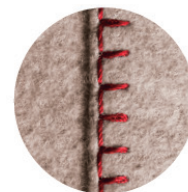


## Cover Finishes

 Simple Lapped seam



 Stitching Punto Cavallo



## Finishes and materials

**Frame:** Solid wood and plywood.

**Feet:** Burnished cast aluminium or wood finishes.

**Padding:** Differentiated density non-deformable polyurethane foam.

**Optional feather cushion (17 3/4 x 17 3/4).**

**Available with simple or punto cavallo stitching.**