

Hampton

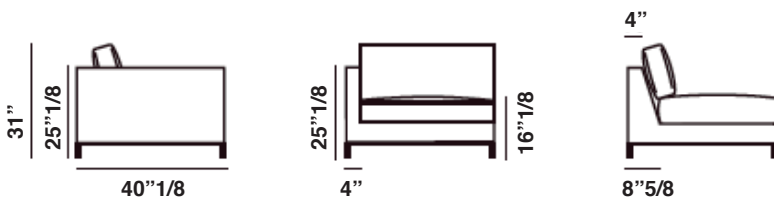


Description

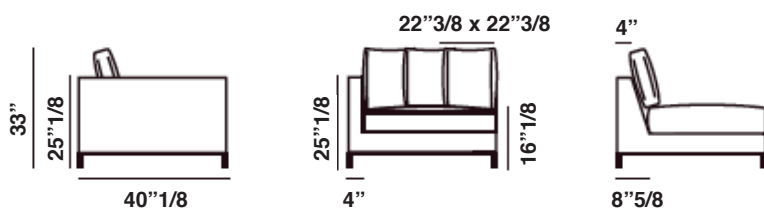
Sofa with frame made of solid and plywood, padded with non-deformable expanded polyurethane of differentiated density, and sprung with interwoven elastic belts. Cotton lining coupled with polyester fibre. In the version without skirt, the foot is bridge-shaped: burnished cast aluminium series and polished cast aluminium.

Hampton offers the possibility to choose between two different backrest versions: with rectangular backrests (type "A") or with backrest-cushions (type "B" 22"3/8 x 22"3/8) in a predefined quantity. To allow more customization possibilities, Hampton is also available in the "BASE" version (without backrests cushions) to be completed with backrest-cushions selected among the various sizes in the collection. Comfortable lumbar cushions, backrest-cushions, and cushions in various sizes are available as optional. The seat cushions are available, according to the modules, either unique or divided. For the solas (with two arms) and armchair, the framework cover, of the tensed series, can also be made with skirting. With skirting, the feet are cylindrical. The cover can be completely and easily removed.

Hampton Type A



Hampton Type B



Sofa Dimensions (Version A)

Hampton Size A: 61³/₈W x 40¹/₈D x 31"H - **Seat Height:** 16¹/₈ - **Armrest Height:** 25¹/₈

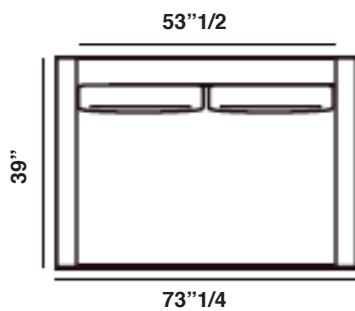
Hampton Size B: 73⁵/₈W x 40¹/₈D x 31"H - **Seat Height:** 16¹/₈ - **Armrest Height:** 25¹/₈

Hampton Size C: 85⁷/₈W x 40¹/₈D x 31"H - **Seat Height:** 16¹/₈ - **Armrest Height:** 25¹/₈

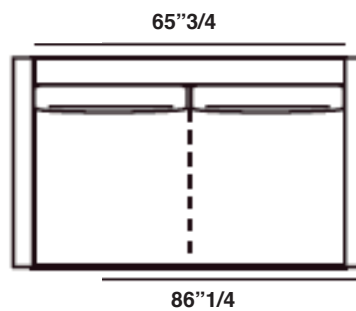
Hampton Size D: 96⁷/₈W x 40¹/₈D x 31"H - **Seat Height:** 16¹/₈ - **Armrest Height:** 25¹/₈

Hampton Size E: 115"W x 40¹/₈D x 31"H - **Seat Height:** 16¹/₈ - **Armrest Height:** 25¹/₈

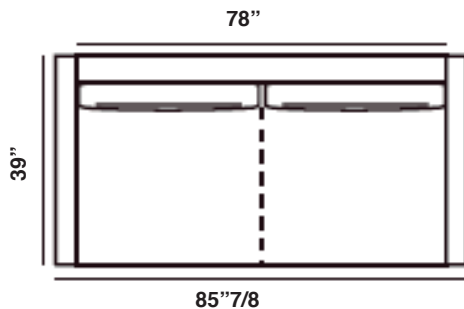
Hampton Size A



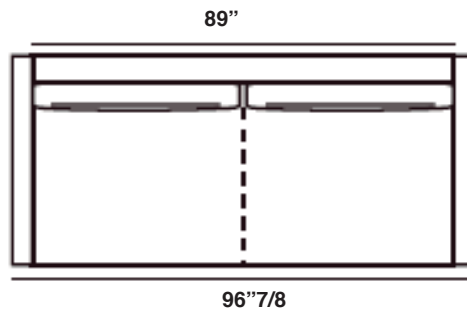
Hampton Size B



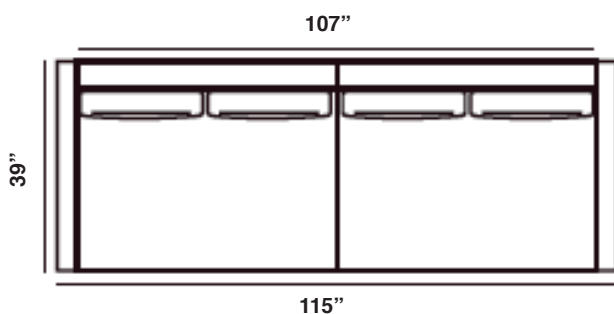
Hampton Size C



Hampton Size D



Hampton Size E



Sofa Dimensions (Version B)

Hampton Size A: 61³/₈W x 40¹/₈D x 33"H - **Seat Height:** 16¹/₈ - **Armrest Height:** 25¹/₈

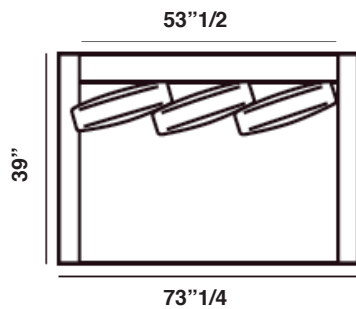
Hampton Size B: 73⁵/₈W x 40¹/₈D x 33"H - **Seat Height:** 16¹/₈ - **Armrest Height:** 25¹/₈

Hampton Size C: 85⁷/₈W x 40¹/₈D x 33"H - **Seat Height:** 16¹/₈ - **Armrest Height:** 25¹/₈

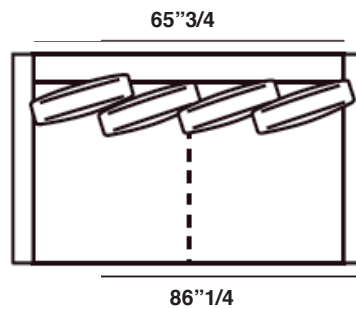
Hampton Size D: 96⁷/₈W x 40¹/₈D x 33"H - **Seat Height:** 16¹/₈ - **Armrest Height:** 25¹/₈

Hampton Size E: 115"W x 40¹/₈D x 33"H - **Seat Height:** 16¹/₈ - **Armrest Height:** 25¹/₈

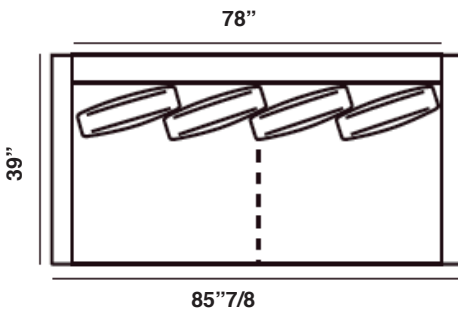
Hampton Size A



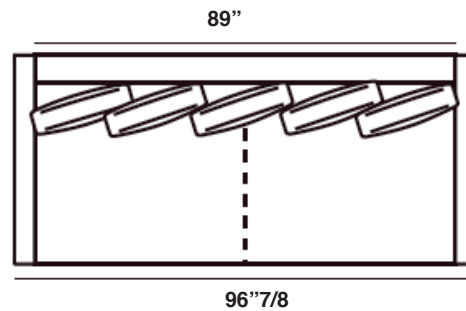
Hampton Size B



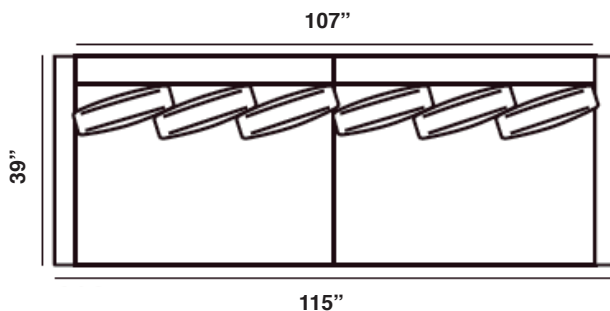
Hampton Size C



Hampton Size D



Hampton Size E

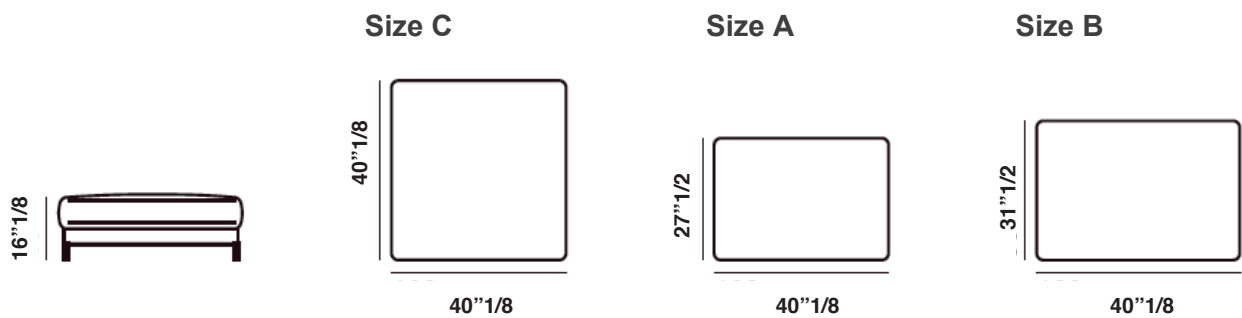


Ottomans Dimensions

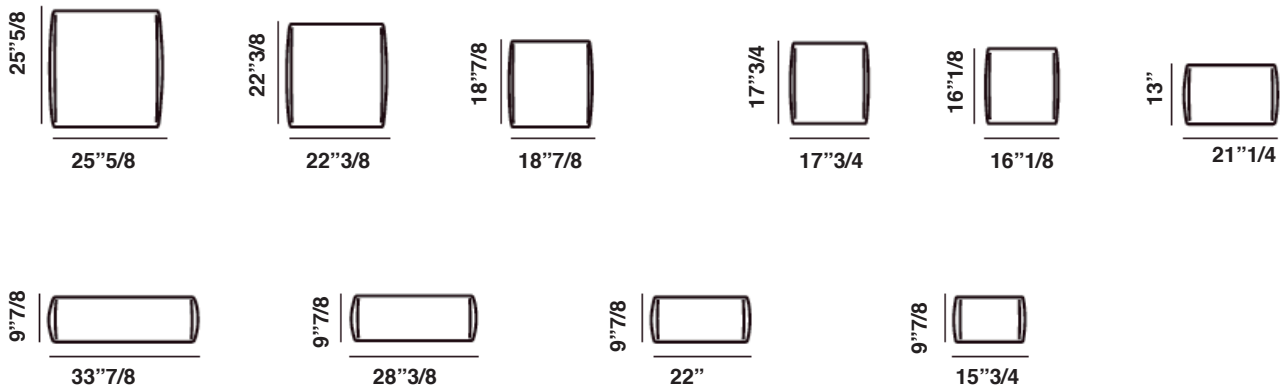
Ottoman Size A: 40"1/8W x 27"1/2D x 16"1/8H

Ottoman Size B: 40"1/8W x 31"1/2D x 16"1/8H

Ottoman Size C: 40"1/8W x 40"1/8D x 16"1/8H



Cushions



Finishes and materials

Frame: Solid wood and plywood.

Feet: Burnished cast aluminium series and polished cast aluminium.

Padding: Differentiated density non-deformable polyurethane foam.

Upholstery Finishes: Fabric, leather or C.O.M (Customer's fabric)

Optional feather cushions.

Available with skirting.