

Irving



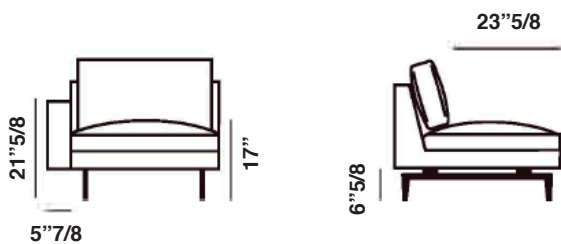
Description

Sofa with frame made of solid and plywood, padded with non-deformable expanded polyurethane of differentiated density, and sprung with interwoven elastic belts. Cotton lining coupled with polyester. Bridge-shaped feet in bronzed painted aluminium, or in polished aluminium cast upon request.

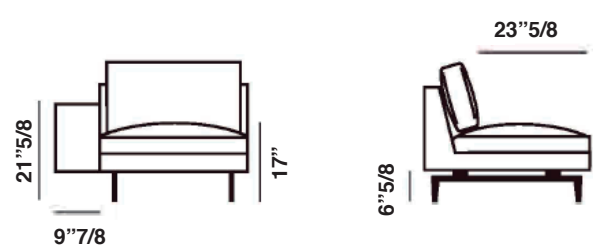
Seat cushions in non-deformable expanded polyurethane with differentiated densities, and polyester.

Backrest-cushions type "A" with canalised feather and polyurethane insert; backrest-cushions type "B" entirely made with canalised feather. Optional cushions and lumbar-cushions are entirely in feather. Ali padding is fully lined with white fabric.

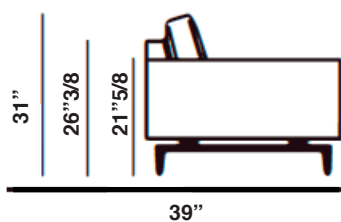
Armrest A (5"7/8)



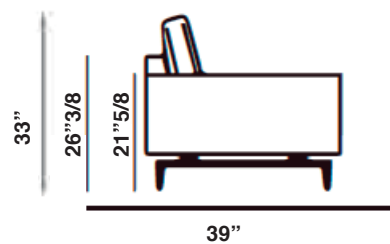
Armrest B (9"7/8)



Backrest A



Backrest B

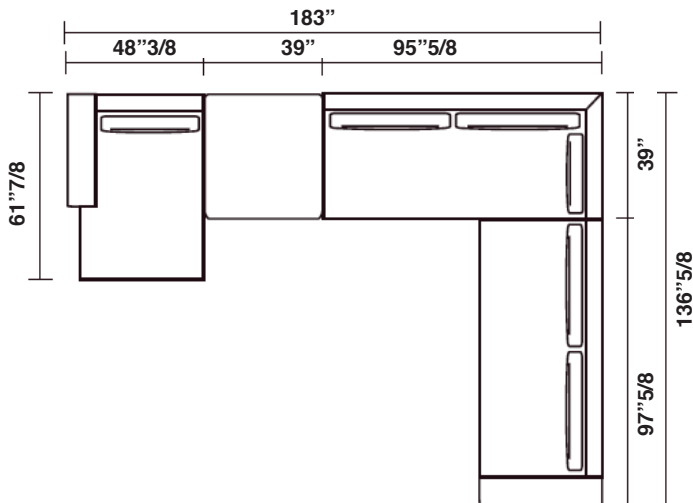


Dimensions

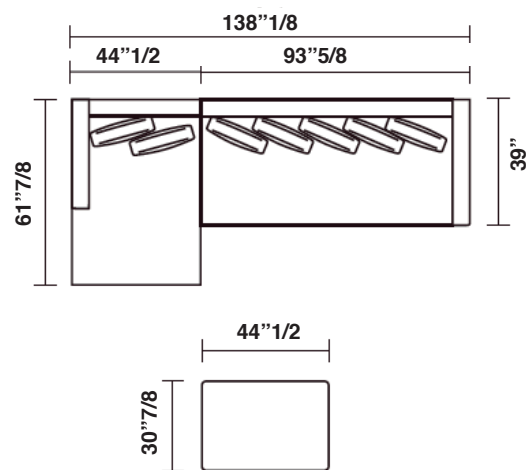
Composition A: 183"W x 136"5/8D x 33"H
Composition B: 138"1/8W x 61"7/8D x 33"H
Composition C: 146"W x 61"7/8D x 33"H

Compositions

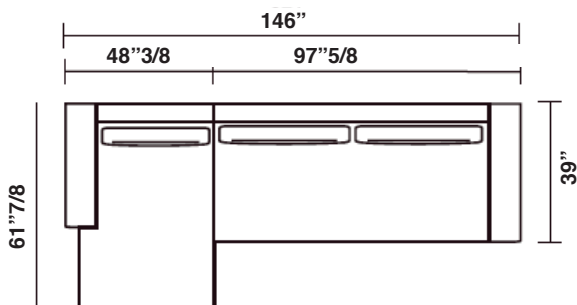
Composition A

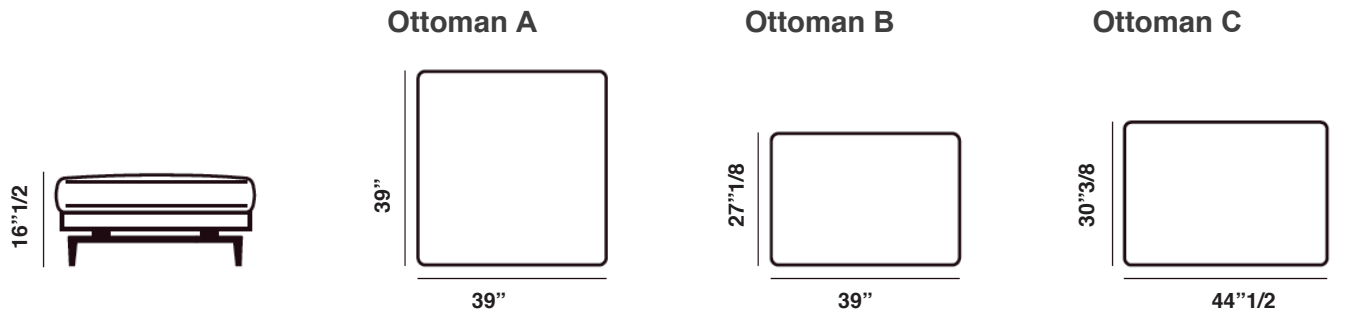


Composition B

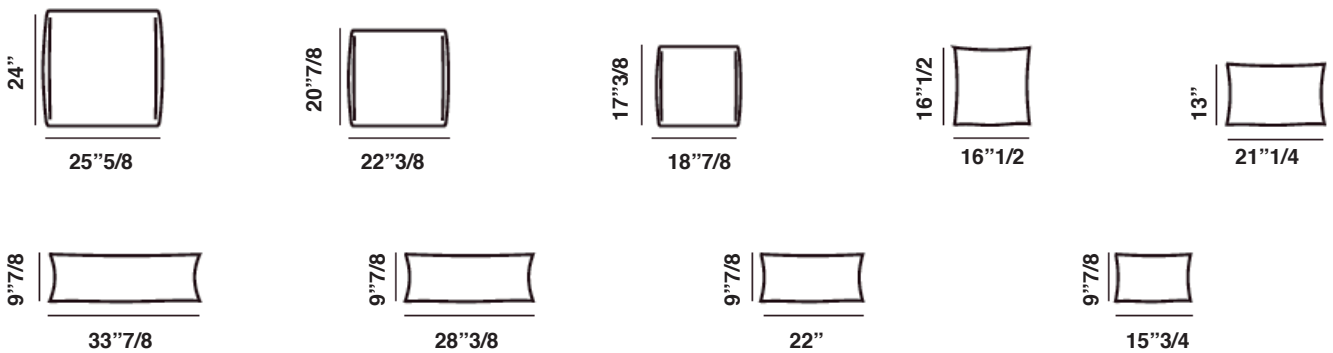


Composition C

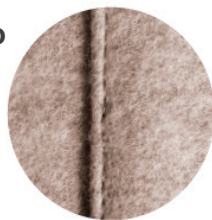




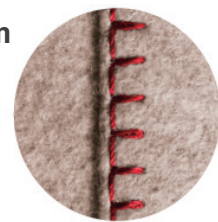
Cushions



 **Stitching**
Punto Cavallo



 **Simple**
Lapped seam



Finishes and materials

Frame: Solid wood and plywood.

Feet: Chrome, white matt, red matt or grey matt painted.

Padding: Differentiated density non-deformable polyurethane foam.

Optional feather cushions.