

# Kelly

Design: Lievore Altherr Molina

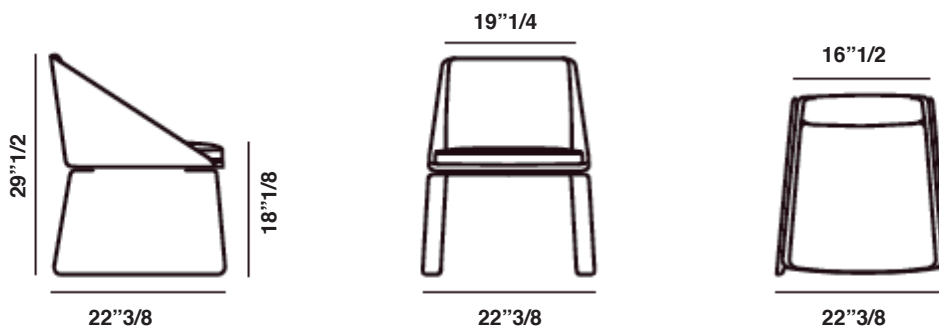


## Description

Armchair with fully removable cover.  
Framework: Cold-moulded toamed polyurethane with metal insert, sprung with elastic bands.  
Under covering in Veltodera lining.  
Base in metal with chrome finishing.

## Dimensions

22"3/8W x 22"3/8D x 29"1/2H - **Seat Height: 18"1/8**



## Finishes and materials

**Frame:** Metal with chrome finish.

**Framework:** Cold-moulded toamed polyurethane with metal insert, sprung with elastic bands.  
Under covering in Veltodera lining.

**Fully Removable Cover.**

(For more specifications, please refer to "Finishes & Materials")