

Larsen



Description

Sofa with frame made of solid and plywood, padded with non-deformable expanded polyurethane of differentiated density, and sprung with interwoven elastic belts. Cotton lining coupled with polyester fibre. Bridge-shaped feet in aluminium cast bronzed painted as standard, or in polished aluminium cast upon request.

Seat cushions in non-deformable expanded polyurethane with differentiated density and polyester fibre. Upon request, and with up charge, seat cushions with canalized feather and polyurethane insert can be provided. Backrest-Cushions in teased and canalized polyester fibre with non-deformable polyurethane insert. Optional cushions and lumbar-cushions are entirely in feather.

Sofa Dimensions

Size A: 66"1/8W x 39"3/8D x 31"H - **Seat Height:** 16"1/2 - **Armrest Height:** 22"

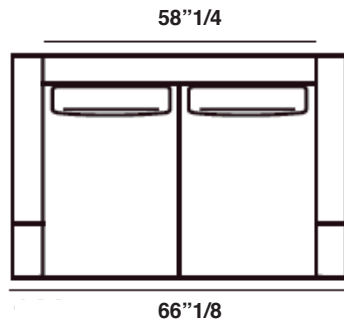
Size B: 74"W x 39"3/8D x 31"H - **Seat Height:** 16"1/2 - **Armrest Height:** 22"

Size C: 84"5/8W x 39"3/8D x 31"H - **Seat Height:** 16"1/2 - **Armrest Height:** 22"

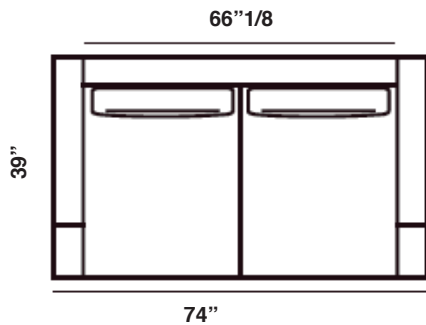
Size D: 95"1/4W x 39"3/8D x 31"H - **Seat Height:** 16"1/2 - **Armrest Height:** 22"

Size E: 124"3/8W x 39"3/8D x 31"H - **Seat Height:** 16"1/2 - **Armrest Height:** 22"

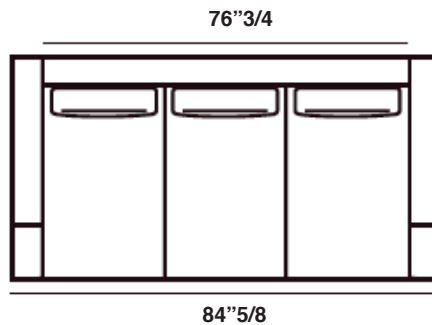
Size A:



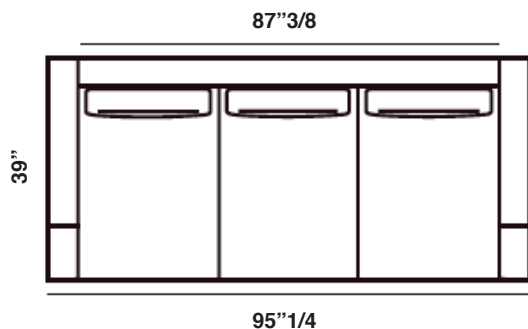
Size B:



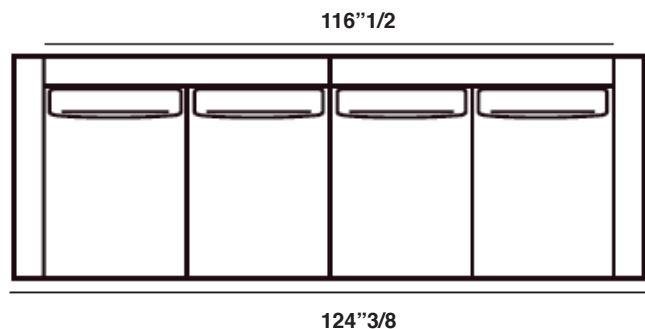
Size C:



Size D:



Size E:



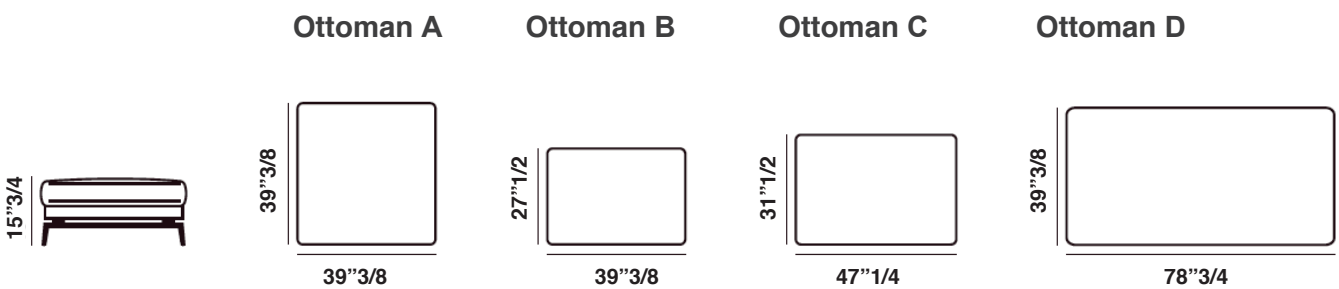
Ottomans Dimensions

Ottoman A: 39³/₈W x 39³/₈D x 15³/₄H

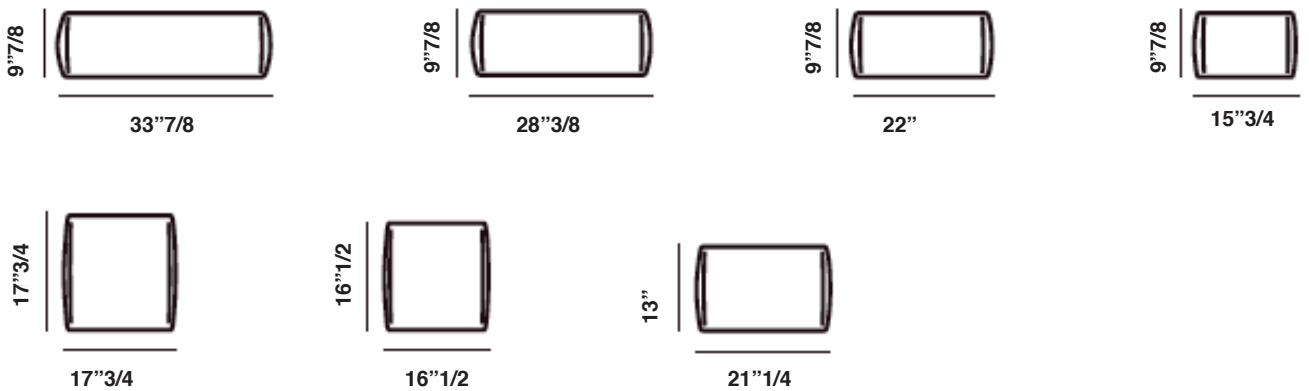
Ottoman B: 27¹/₂W x 39³/₈D x 15³/₄H

Ottoman C: 47¹/₄W x 31¹/₂D x 15³/₄H

Ottoman D: 78³/₄W x 39³/₈D x 15³/₄H



Cushions



Finishes and materials

Frame: Solid wood and plywood.

Feet: aluminium cast bronzed painted as standard, or in polished aluminium cast upon request.

Padding: Differentiated density non-deformable polyurethane foam.

Upholstery Finishes: Fabric, leather or C.O.M (Sustomer's fabric)

Optional feather cushions.