

Larsen

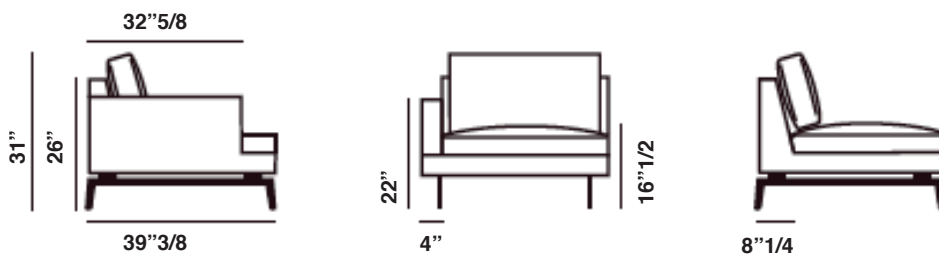


Description

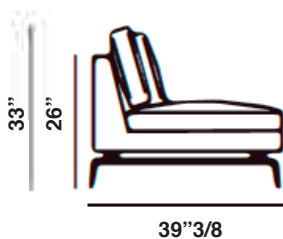
Sofa with frame made of solid and plywood, padded with non-deformable expanded polyurethane of differentiated density, and sprung with interwoven elastic belts. Cotton lining coupled with polyester fibre. Bridge-shaped feet in aluminium cast bronzed painted as standard, or in polished aluminium cast upon request.

Seat cushions in non-deformable expanded polyurethane with differentiated density and polyester fibre. Upon request, and with up charge, seat cushions with canalized feather and polyurethane insert can be provided. Backrest-Cushions in teased and canalized polyester fibre with non-deformable polyurethane insert. Optional cushions and lumbar-cushions are entirely in feather.

Larsen Version A



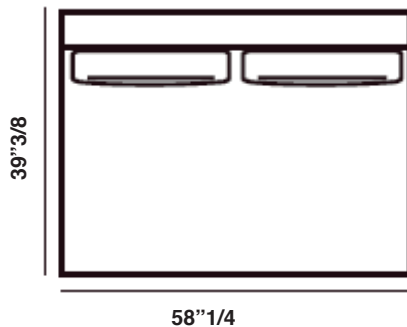
Larsen Version B



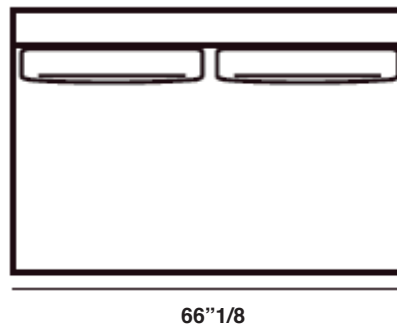
Dimensions

- Larsen Central Section 148:** 58"1/4W x 39"3/8D x 31"H - **Seat Height:** 16"1/2
Larsen Central Section 168: 66"1/8W x 39"3/8D x 31"H - **Seat Height:** 16"1/2
Larsen Central Section 195: 76"3/4W x 39"3/8D x 31"H - **Seat Height:** 16"1/2
Larsen Central Section 222: 87"3/8W x 39"3/8D x 31"H - **Seat Height:** 16"1/2
Larsen End Section 158: 62"1/8W x 39"3/8D x 31"H - **Seat Height:** 16"1/2 - **Armrest Height:** 22"
Larsen End Section 178: 70"W x 39"3/8D x 31"H - **Seat Height:** 16"1/2 - **Armrest Height:** 22"
Larsen End Section 205: 80"W x 39"3/8D x 31"H - **Seat Height:** 16"1/2 - **Armrest Height:** 22"
Larsen End Section 232: 91"3/8W x 39"3/8D x 31"H - **Seat Height:** 16"1/2 - **Armrest Height:** 22"
Larsen Corner Section 170: 67"W x 39"3/8D x 31"H - **Seat Height:** 16"1/2 - **Armrest Height:** 22"
Larsen Corner Section 190: 74"3/4W x 39"3/8D x 31"H - **Seat Height:** 16"1/2 - **Armrest Height:** 22"
Larsen Corner Section 217: 85"3/8W x 39"3/8D x 31"H - **Seat Height:** 16"1/2 - **Armrest Height:** 22"
Larsen Corner Section 244: 96"W x 39"3/8D x 31"H - **Seat Height:** 16"1/2 - **Armrest Height:** 22"
Larsen Corner Section 100: 39"3/8W x 39"3/8D x 31"H - **Seat Height:** 16"1/2 - **Armrest Height:** 22"
Larsen Terminal 222: 87"3/8W x 39"3/8D x 31"H - **Seat Height:** 16"1/2 - **Armrest Height:** 22"
Larsen Dormeuse 232: 91"3/8W x 39"3/8D x 31"H - **Seat Height:** 16"1/2 - **Armrest Height:** 22"
Larsen Dormeuse 221: 39"3/8W x 87"D x 31"H - **Seat Height:** 16"1/2 - **Armrest Height:** 22"
Larsen Chause Lounge: 43"1/4W x 61"7/8D x 31"H - **Seat Height:** 16"1/2 - **Armrest Height:** 22"

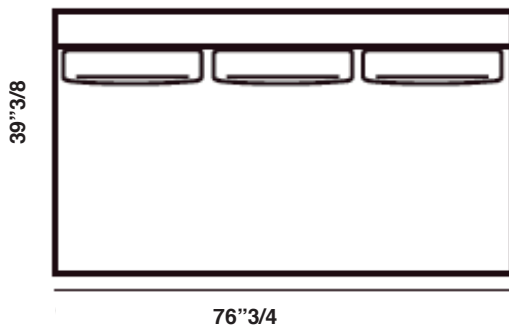
Larsen Central Section 148



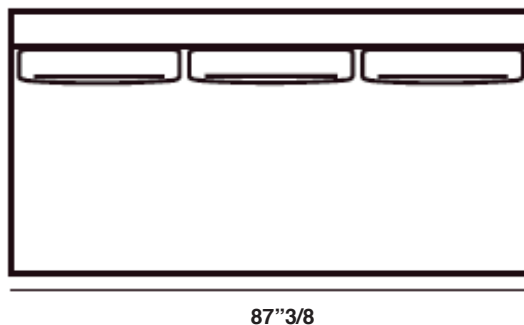
Larsen Central Section 168



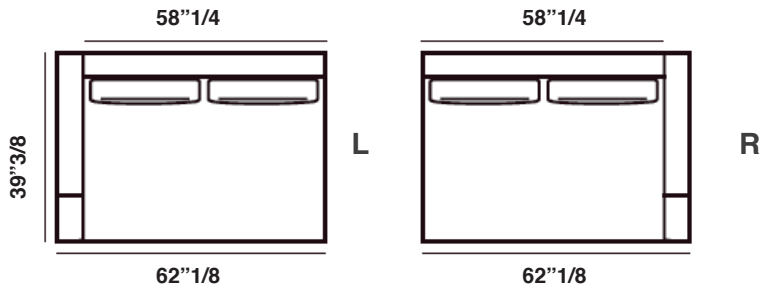
Larsen Central Section 195



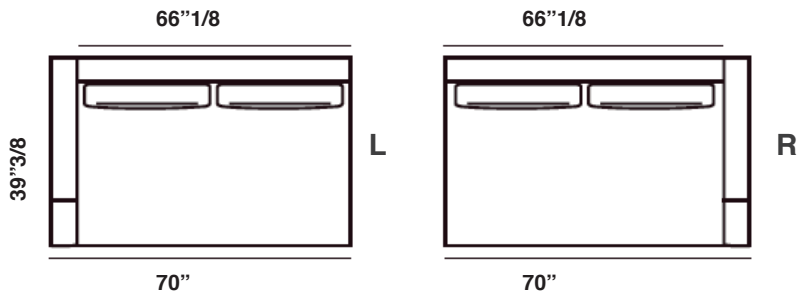
Larsen Central Section 222



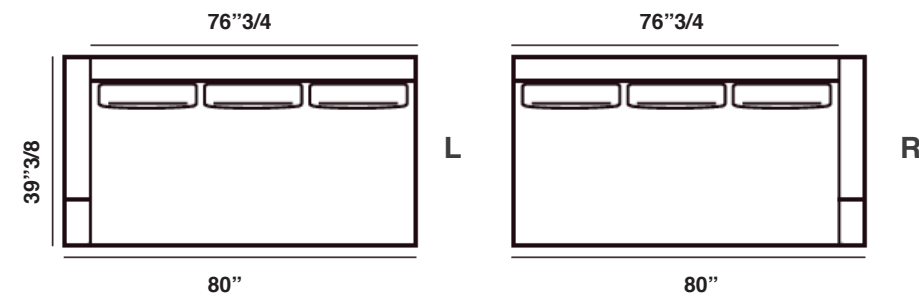
Larsen End Section 158



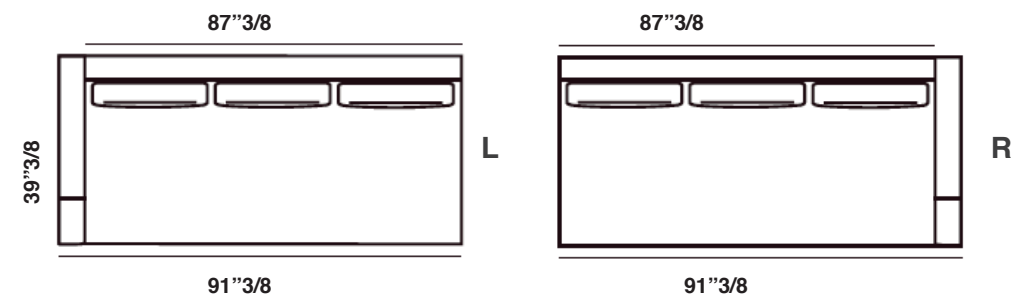
Larsen End Section 178



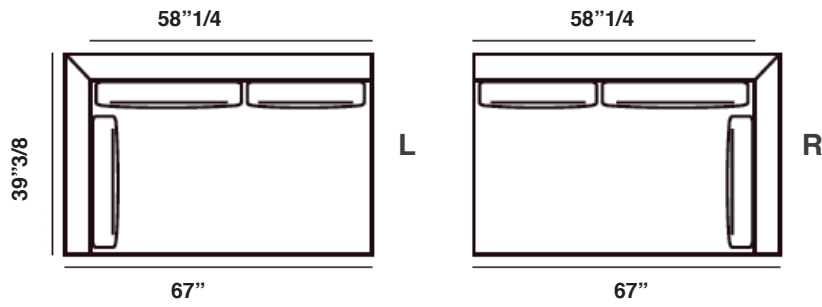
Larsen End Section 205



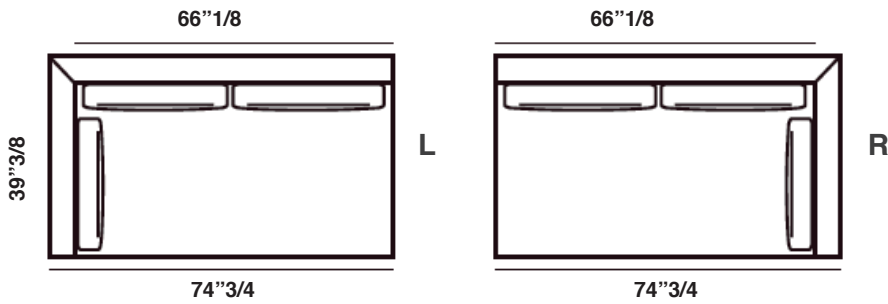
Larsen End Section 232



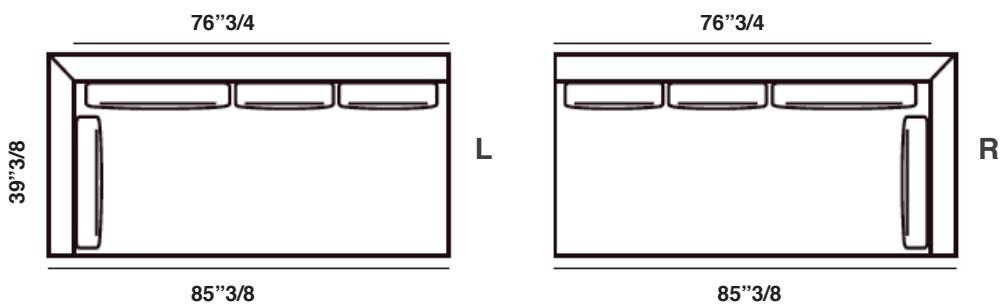
Larsen Corner Section 170



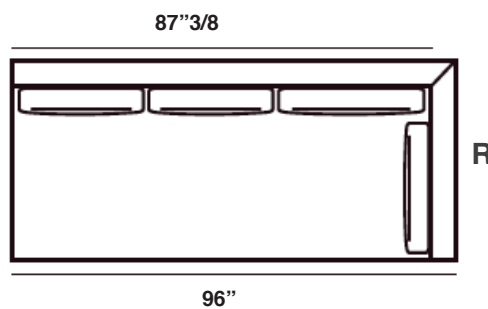
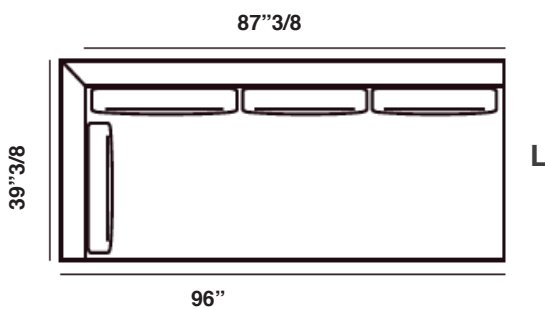
Larsen Corner Section 190



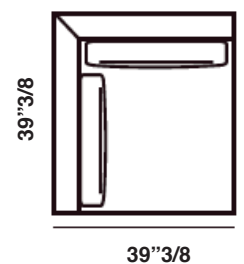
Larsen Corner Section 217



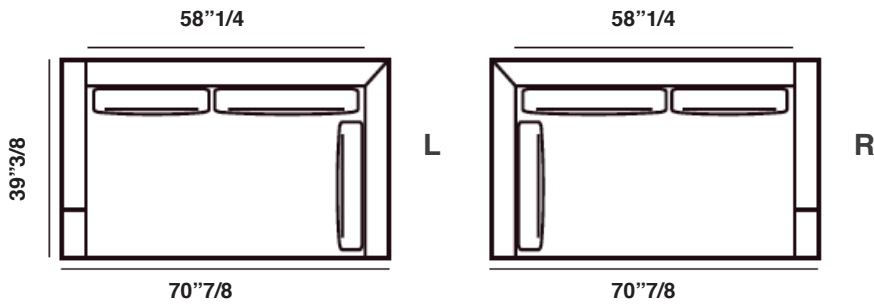
Larsen Corner Section 244



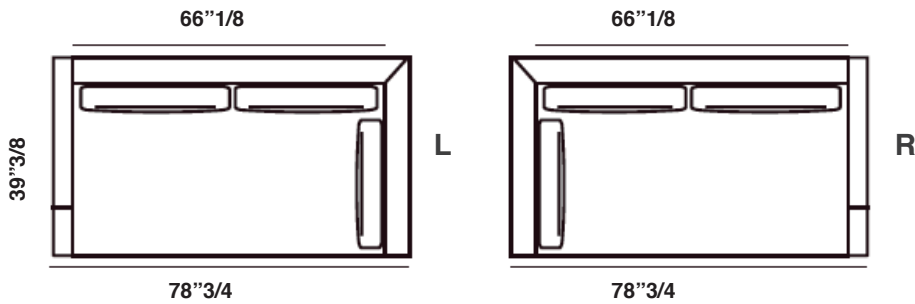
Larsen Corner 100



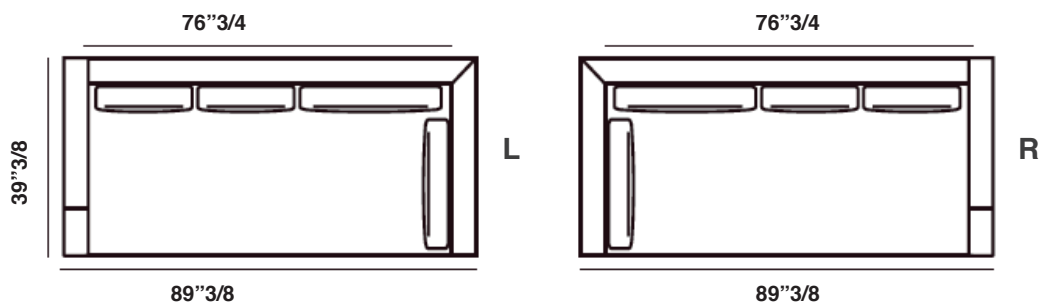
Larsen End Corner Section 180



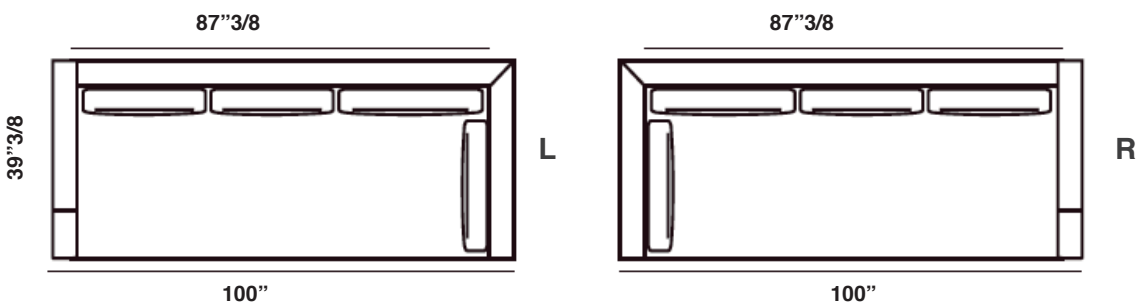
Larsen End Corner Section 200



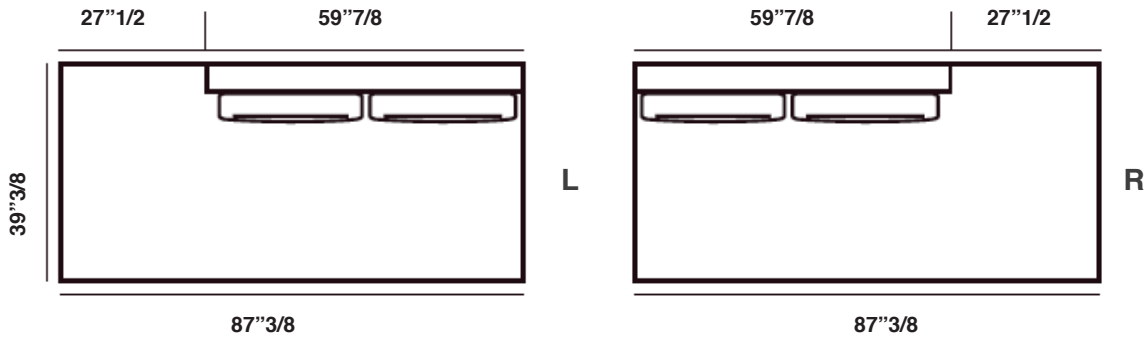
Larsen End Corner Section 227



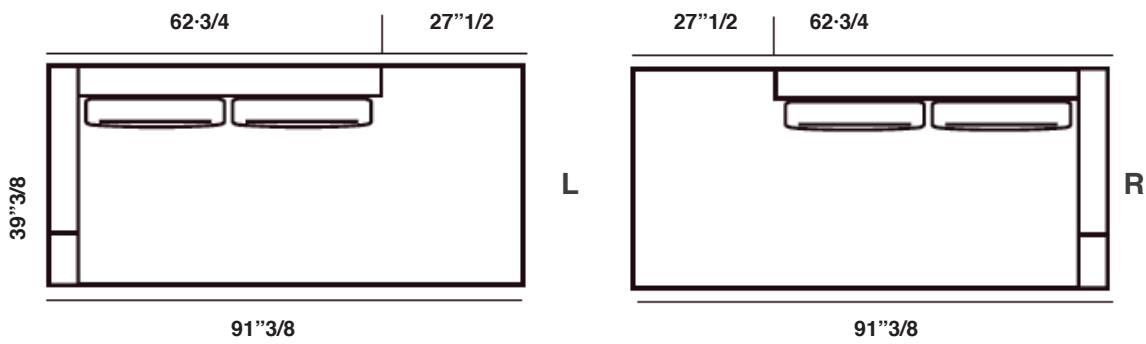
Larsen End Corner Section 254



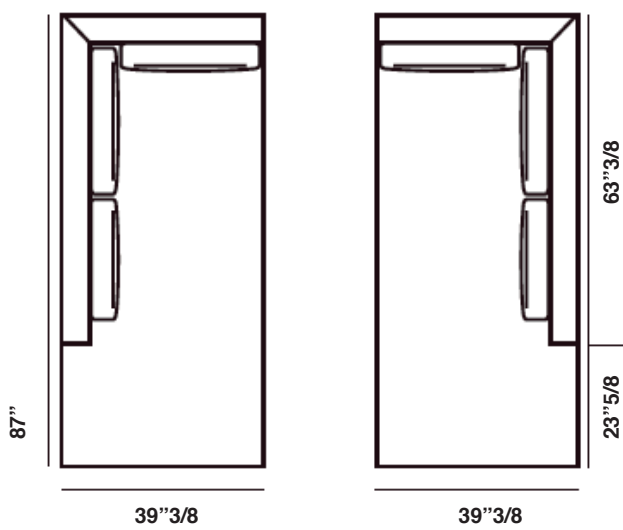
Larsen Terminal 222



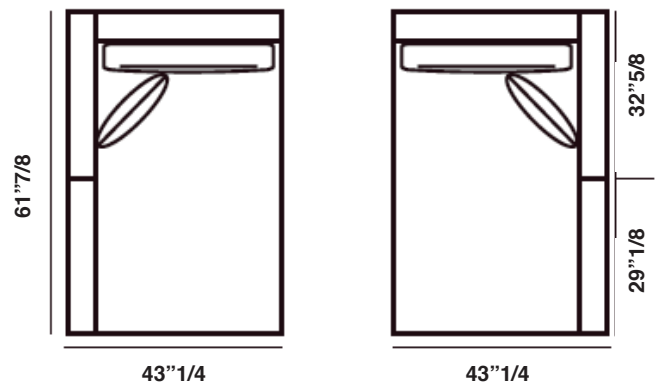
Larsen Dormeuse 232



Larsen Dormeuse 221

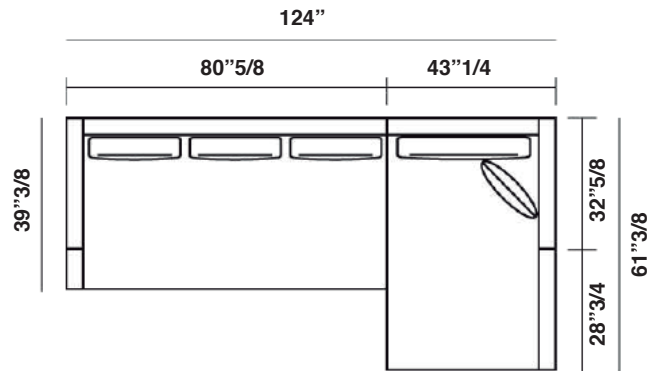


Larsen Chaise Lounge

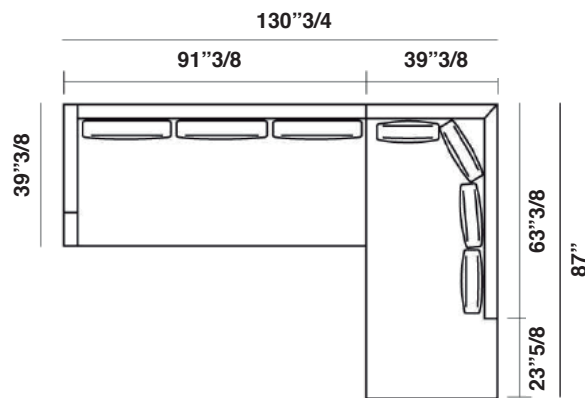


Compositions

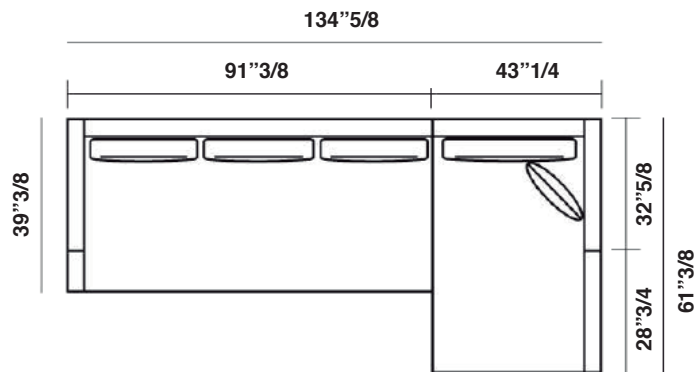
Composition A



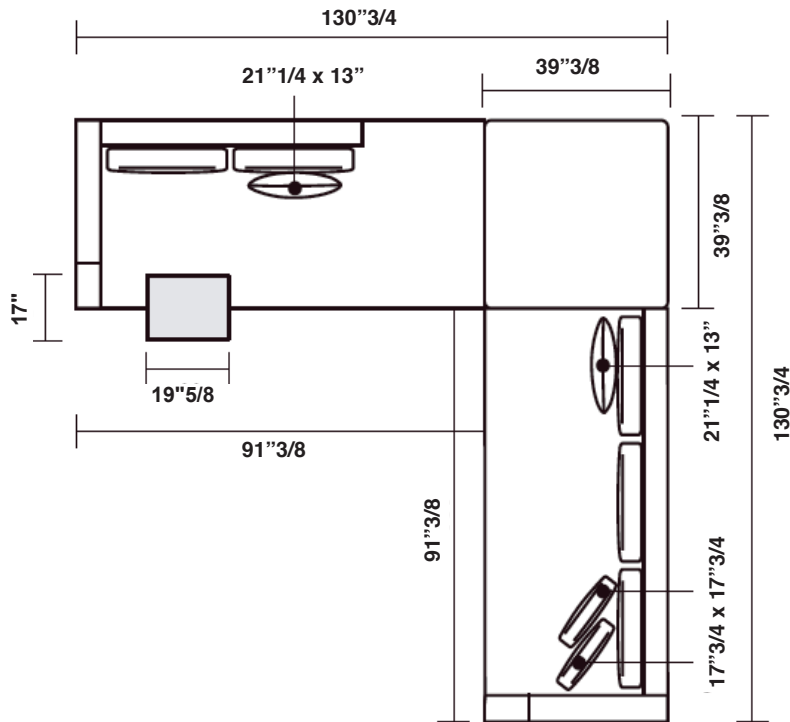
Composition B



Composition C



Composition D



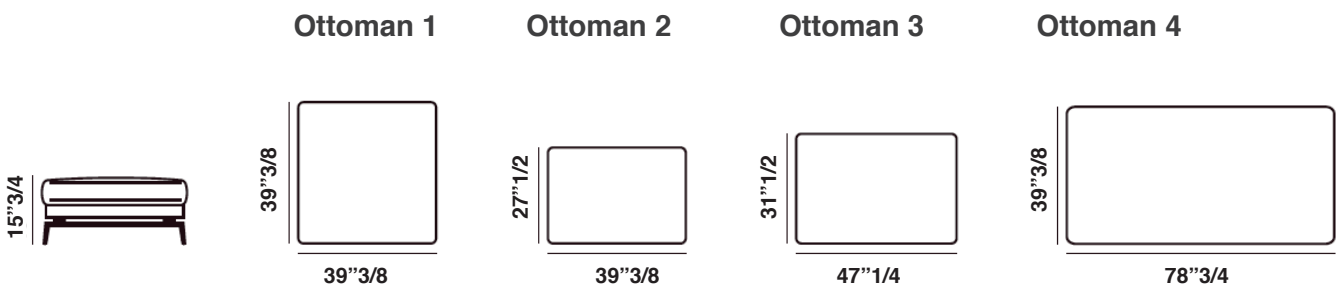
Ottomans Dimensions

Ottoman 1: 39 3/8W x 39 3/8D x 15 3/4H

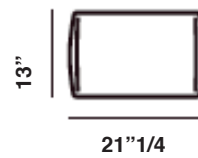
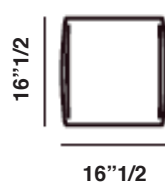
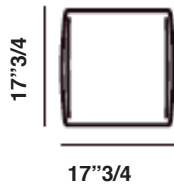
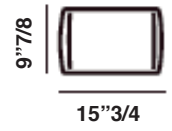
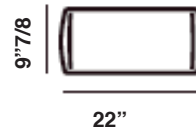
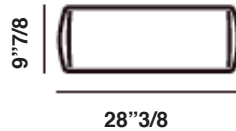
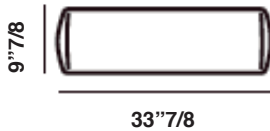
Ottoman 2: 39 3/8W x 27 1/2D x 15 3/4H

Ottoman 3: 47 1/4W x 31 1/2D x 15 3/4H

Ottoman 4: 78 3/4W x 39 3/8D x 15 3/4H



Cushions



Finishes and materials

Frame: Solid wood and plywood.

Feet: aluminium cast bronzed painted as standard, or in polished aluminium cast upon request.

Padding: Differentiated density non-deformable polyurethane foam.

Upholstery Finishes: Fabric, leather or C.O.M (Sustomer's fabric)

Optional feather cushions.