

Noe

Design: Lievore Altherr Molina

Description



Modular sofa with plywood base-panel, padding made partly of rigid self-supporting polyurethane, forming the framework, and partly of polyurethane fibres in different densities, suitable to guarantee high comfort.

The inside of the backrest and of the seat is covered by "BALL" type polyester fibre contained in a lining made of many different compartments obtained with numerous partitions.

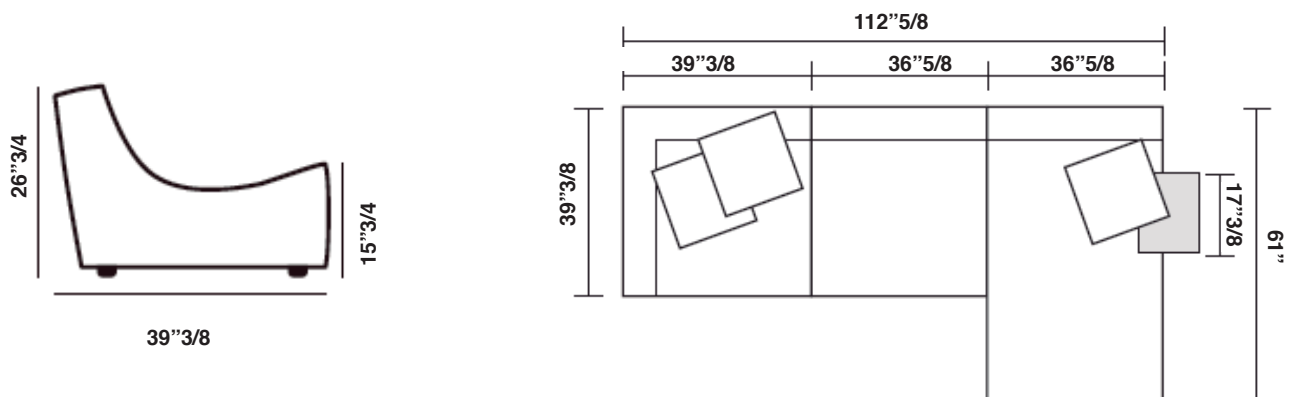
All the external parts are instead covered with flake polyester fibre covered, in its turn, by cotton cloth. The "BALL" type polyester padding provides special comfort, as well as giving a particularly aged appearance specific to this fibre that must be accepted as it is intentional. Black lacquered beech feet.

Dimensions

Composition 1: 112⁵/₈W x 61"D x 26³/₄H - **Seat Height:** 15³/₄

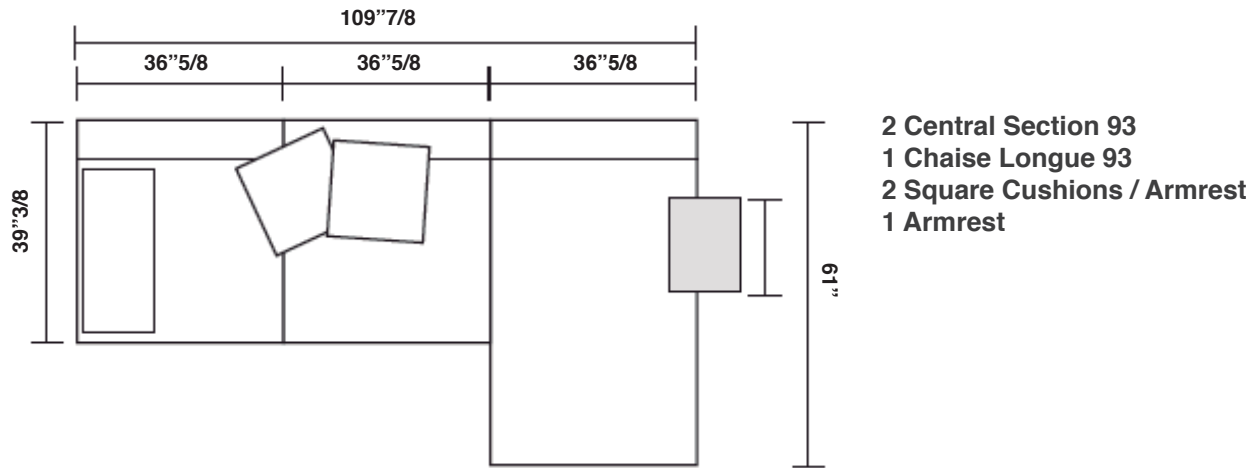
Composition 2: 115³/₈W x 39³/₈D x 26³/₄H - **Seat Height:** 15³/₄

Composition 1



- 1 Lateral Section 100 (Left)
- 1 Central Section 93
- 1 Chaise Longue 93
- 3 Square Cushions / Armrest

Composition 2



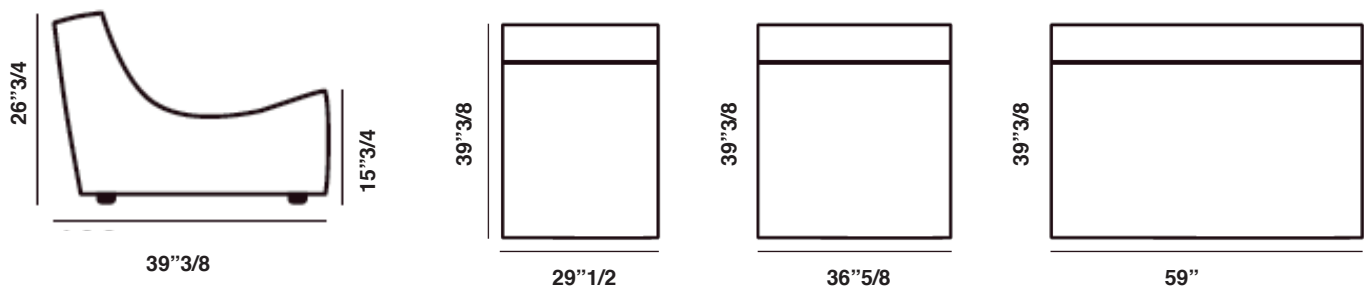
Sections Dimensions

- Noe Central Section 75: 29"1/2W x 39"3/8D x 26"3/4H - Seat Height: 15"3/4
- Noe Central Section 93: 36"5/8W x 39"3/8D x 26"3/4H - Seat Height: 15"3/4
- Noe Central Section 150: 59"W x 39"3/8D x 26"3/4H - Seat Height: 15"3/4
- Noe Central Section 186: 73"1/4W x 39"3/8D x 26"3/4H - Seat Height: 15"3/4
- Noe Central Section 210: 82"5/8W x 39"3/8D x 26"3/4H - Seat Height: 15"3/4
- Noe Chaise Lounge 100 (L/R): 39"3/8W x 61"D x 26"3/4H - Seat Height: 15"3/4
- Noe Corner Section 100: 39"3/8W x 39"3/8D x 26"3/4H - Seat Height: 15"3/4
- Noe Lateral Section 100 (L/R): 39"3/8W x 39"3/8D x 26"3/4H - Seat Height: 15"3/4
- Noe Terminal Section 205 (L/R): 80"5/8W x 39"3/8D x 26"3/4H - Seat Height: 15"3/4
- Noe Chaise Lounge 93: 36"5/8W x 61"D x 26"3/4H - Seat Height: 15"3/4

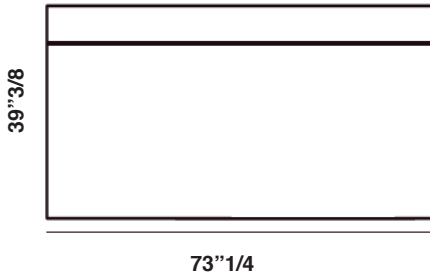
Central Section 75

Central Section 93

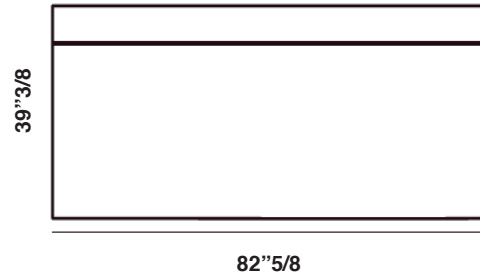
Central Section 150



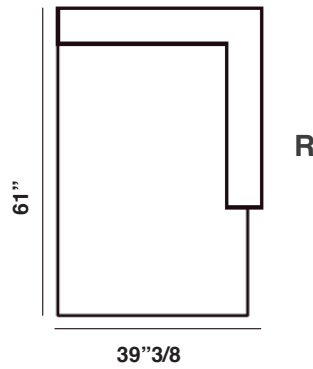
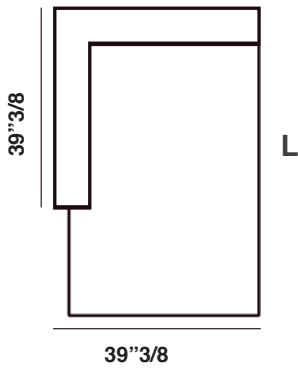
Central Section 186



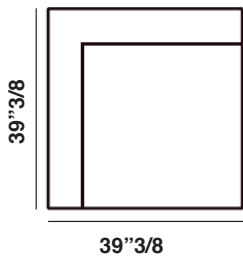
Central Section 210



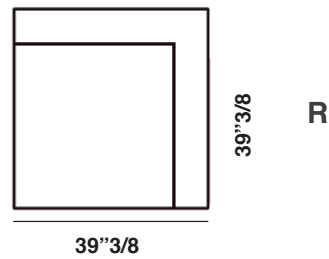
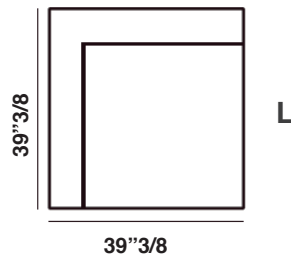
Chaise Lounge 100



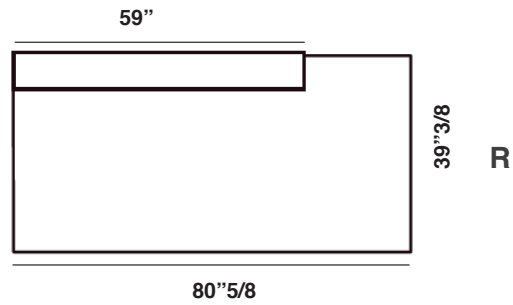
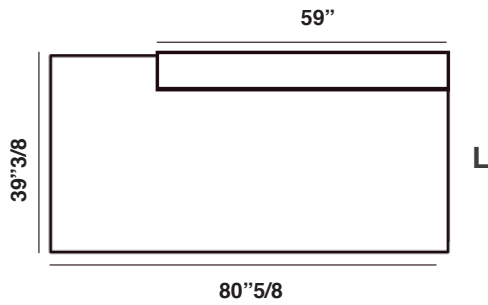
Corner Section 100



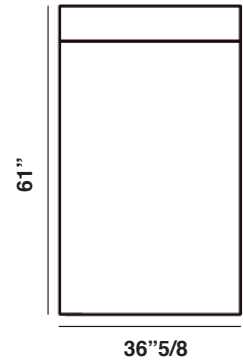
Lateral Section 100



Terminal Section 205

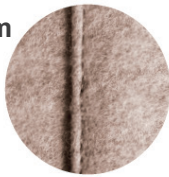


Chaise Lounge 93

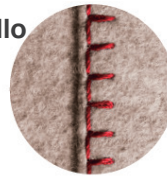


Cover Finishes

 Simple Lapped seam



 Stitching Punto Cavallo



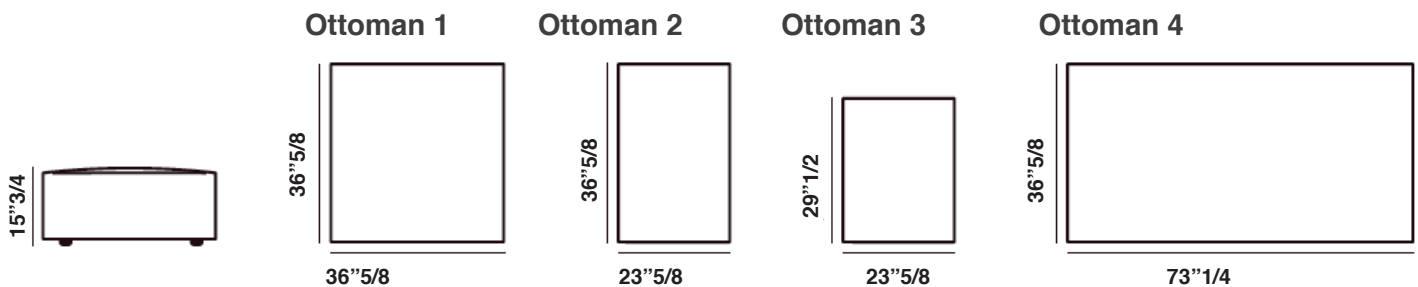
Ottomans Dimensions

Ottoman 1: 36"5/8W x 36"5/8D x 15"3/4H

Ottoman 2: 23"5/8W x 36"5/8D x 15"3/4H

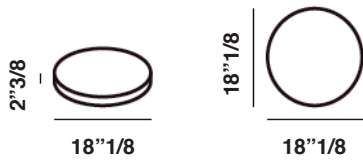
Ottoman 3: 23"5/8W x 29"1/2D x 15"3/4H

Ottoman 4: 73"1/4W x 36"5/8D x 15"3/4H

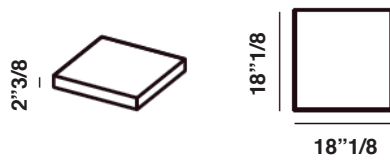


Cushions

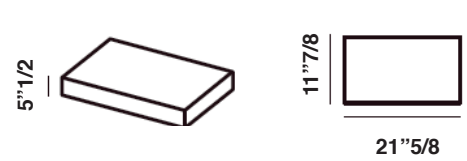
Round Cushion / Armrest



Square Cushion / Armrest



Armrest



Finishes and materials

Frame: Plywood base-panel.

Padding: Rigid self-supporting polyurethane

Upholstery: Fabric, Leather or C.O.M (Customer's fabric)

Stitching: Simple lapped seam or "Punto Cavallo".

(For more specifications, please refer to "Finishes & Materials")