

Twins

Design: Barovier&Toso



Description

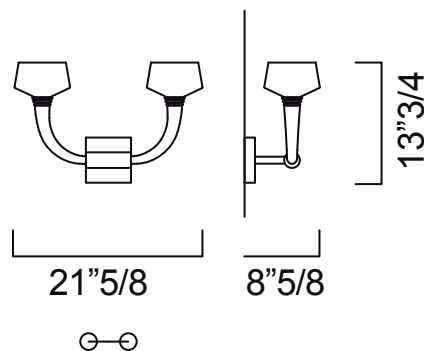
In a past that is ever present, the glass takes shape and light alternates with shadows to generate a vigorous, vertiginous embrace. A wall lamp with a vigorous yet refined appearance. The arms' crystal, which is very material, is transparent, while the light bulbs are enclosed in opaque white cups which diffuse and soften the light.

Made in Italy.

Dimensions

21"5/8W x 13"3/4H x 8"5/8D - Cod. 7225-02

2 G9 x 40W - Dimmable - Not included



Finishes & Materials

Structure: Murano Venetian Crystal and Metal.