

Blade

Design: Matteo Nunziati



Description

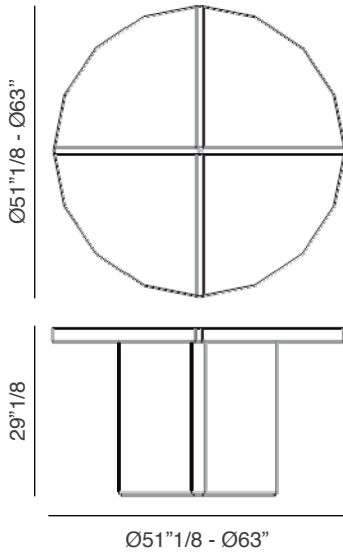
The Blade conference table can be dark-brown or natural oak wood with edges in saddle leather, white or gray melamine with edges in saddle leather, or it can be completely covered in saddle leather.

Finishes and materials

Woods (tops, legs, etc.): Dark-brown or natural oak wood and white or melamine.

Covers: Saddle Leather, cat. CF and CS.

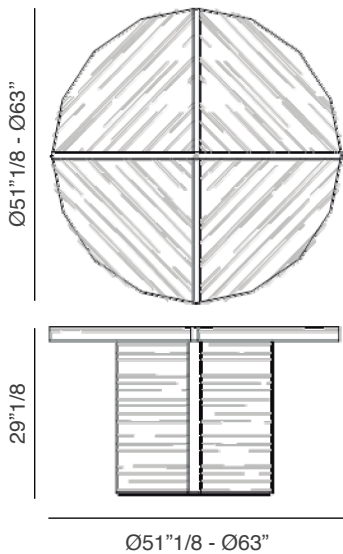
(For more specifications, please refer to "Finishes & Materials")



Blade Round Conference Table 1 0D1416CC: Ø51"1/8 x 29"1/8H

Blade Round Conference Table 2 0D1415CC: Ø63" x 29"1/8H

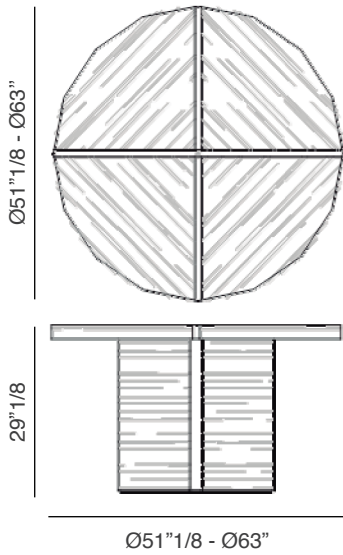
Completely covered in saddle leather.



Blade Round Conference Table 1 0D1416ES: Ø51"1/8 x 29"1/8H

Blade Round Conference Table 2 0D1415ES: Ø63" x 29"1/8H

Dark brown or natural oak wood with edges in saddle leather.



Blade Round Conference Table 1 0D1416NO: Ø51"1/8 x 29"1/8H

Blade Round Conference Table 2 0D1415NO: Ø63" x 29"1/8H

White or grey melamine oak with edges in saddle leather.