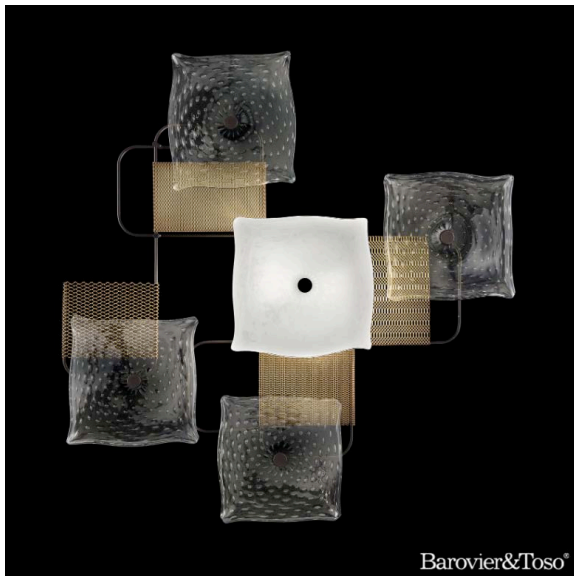


Alumina

Design: Barovier&Toso



Description

High-end Wall Lamp, constructed on a satin bronze serpentine (structure), that recalls the criss-crossing of pipes from old industrial plants, Alumina is made up by five quadrangular Murano glass elements decorated with submerged bubbles all completely hand-crafted. To complete the composition, four decorative and differently finished metal grilles are added to the five glass elements. Made in Italy.

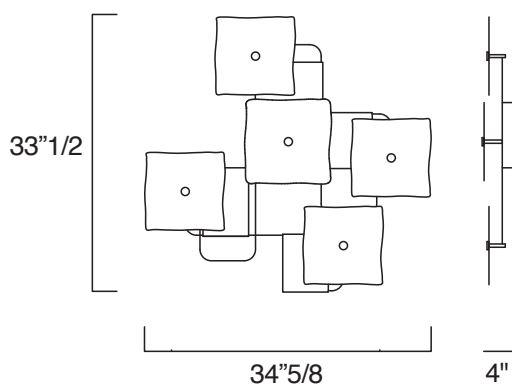
Dimensions

Wall lamp: 34"5/8W x 33"1/2H x 4"D - Cod. 7284-00

Ceiling lamp: 34"5/8W x 33"1/2D x 4"H - Cod. 7285-00

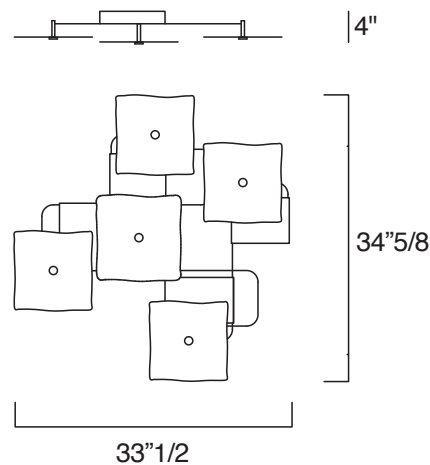
Wall lamp

- Light source: 4 G9 x 4W included - Dimmable



Ceiling lamp

- Light source: 4 G9 x 4W included - Dimmable



Finishes & Materials

Structure: Venetian Crystal and Metal.