

Alco

Design: Roberto Paoli



Description

Large pendant lamp certified in acoustic comfort. Semicircular elements covered by tailor, wool, soft textile or Remix Kvadrat fabric. Removable and easy care fabric cover. Bottom cap in thermoformed opal PMMA with soft touch finishing.

Light Source:

- 1 led module 57 W - 8750 Lm - 2700 K
- 1 led module 23 W - 3628 Lm - 2700 K

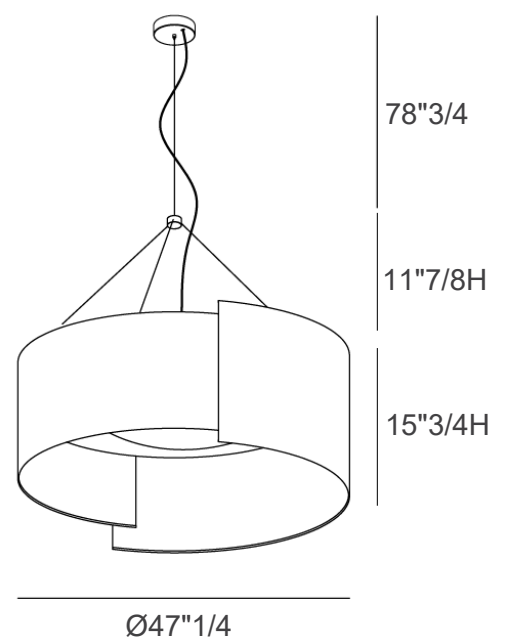
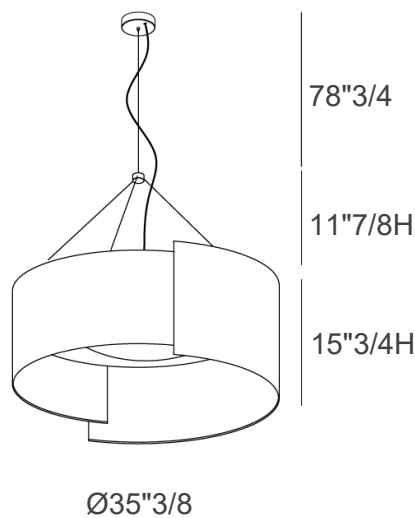
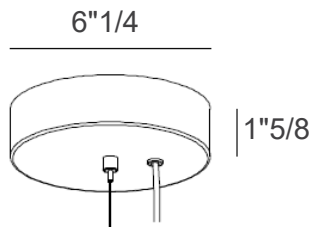
LED modules are also available in 3000K and 4000K version, without surcharge.

Dimensions

Ø 35"3/8 x 15"3/4H

Ø 47"1/4 x 15"3/4H

Canopy



Finishes and materials

Cover: Fabric.