

Kelly Dome

Design: Andrea Tosetto



Description

The laser cutting allows full access to the light source creating intriguing and precious light effects and shades, with its simple and timeless design it has already become a must for any Modern project. Metal frame in matt white, matt black, coppery bronze or matt champagne finish and glossy white glass diffuser. Mounts directly to a 4" Standard J-Box. Bulb not included. Made in Italy.

Small and Medium light source: E26 Classic A60 3x max 75W or E26 LED 3x max available [L max 4.72"].
Large light source: E26 Classic A60 3x max 75W or E26 LED 4x max available [L max 4.72"].

Finishes and materials

Frame: Metal in Matt White, Matt black, Coppery Bronze or Matt Champagne finish.

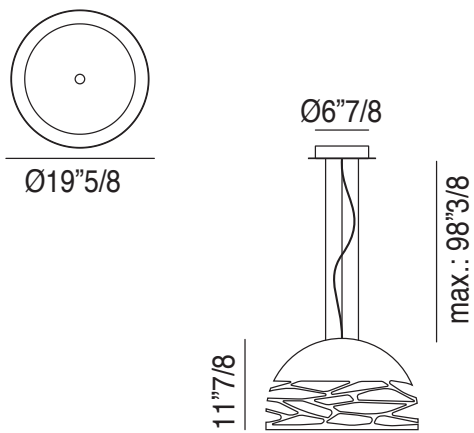
Diffuser: Glass in Glossy White finish.

Dimension

Small: $\text{Ø}19\frac{5}{8}$ x $11\frac{7}{8}$ H + $196\frac{7}{8}$ H of Tensors.

Medium: $\text{Ø}23\frac{5}{8}$ x $14\frac{1}{8}$ H + $98\frac{3}{8}$ H of Tensors.

Small Dome



Medium Dome

