

Key West

Design: Gian Vittorio Plazzogna & Roberto Papparotto



Description

Outdoor lounge chair, aluminum frame powder coated, woven sunrope.

The whole range is modular and, thanks to the elegance and the dynamicity of its shapes, it's possible to integrate it both in indoor and outdoor fittings.

The cozy seat and the ergonomic back give a complete relaxation.

The entire Key West collection is suitable for both home and contract projects.

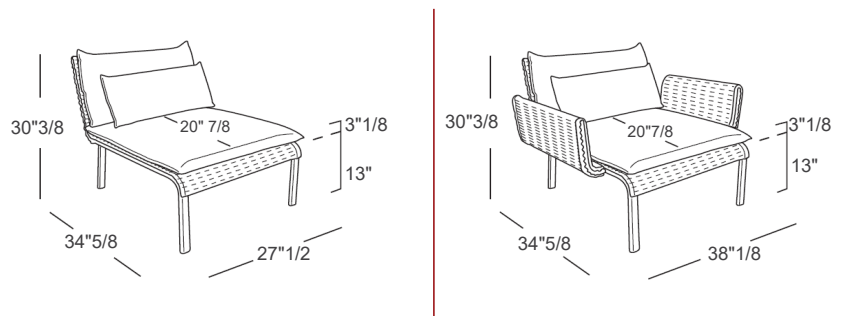
Dimensions

A) 27"1/2W x 34"5/8D x 30"3/8H

B) 38"1/8W x 34"5/8D x 30"3/8H

Seat height: 13" + 3"1/8 of Seat Cushion

Armrest: 22"7/8W x 5"3/8D x 11"H



Materials

Frame in: Stainless steel powder coated.

Seat, Backrest and Armrest in: Woven.

Cushion set cover: Fabric.

