

Key West

Design: Gian Vittorio Plazzogna & Roberto Papparotto



Description

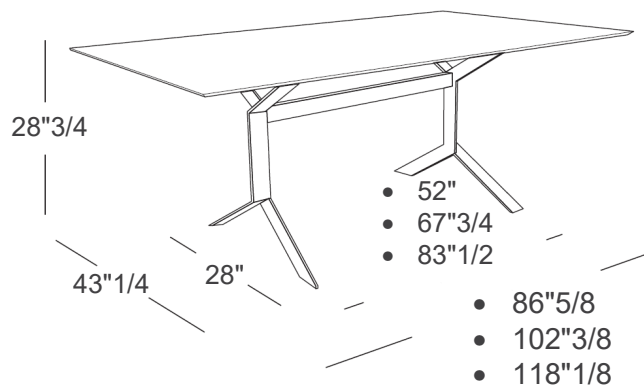
Outdoor table, stainless steel frame powder coated, top made with HPL.

Sober, elegant, essential are only some adjectives that can be used to describe this table by the significant lines. Resistant and functional, it is perfect for outdoor and indoor fittings, for living or dining areas, for terraces and patios.

It integrates itself harmoniously both in residential as well as in contract fittings.

Dimensions

- A) 86"5/8W x 43"1/4D x 28"3/4H
- B) 102"3/8W x 43"1/4D x 28"3/4H
- C) 118"1/8W x 43"1/4D x 28"3/4H



Materials

Top in HPL: Stone.

Frame: Stainless steel powder coated.