

Prince

Design: Giuseppe Viganò



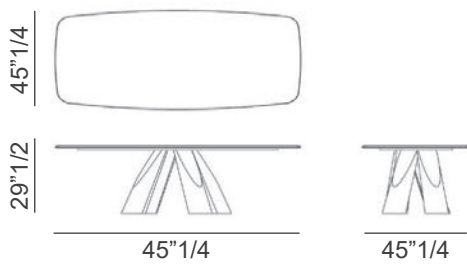
Description

The exclusive Italian Prince Table has a luxury metal base.

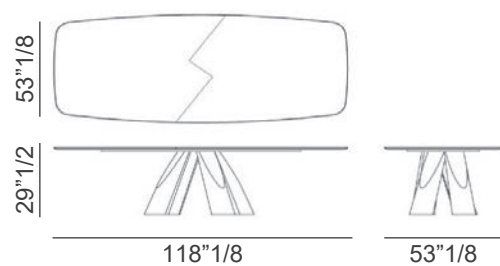
The legs are strong yet refined by an intricate design, their form is integral to the total approach of the table, they are based on the form of a fireplace, evoking elements of that meeting area where everyone would sit and talk. This Contemporary furniture piece features a shaped or round top in refined marbles as per collection. This Italian table is perfect for making any dining area a place to meet, talk, eat and share unique moments in time. Made in Italy.

Dimensions

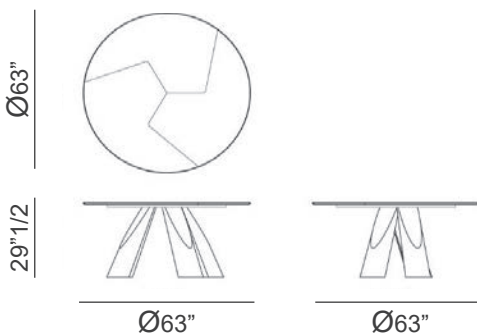
A) 98"3/8W x 45"1/4D x 29"1/2H



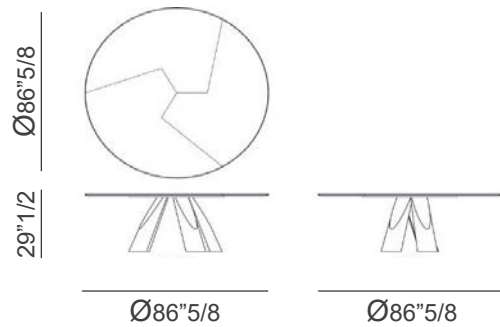
B) 118"1/8W x 53"1/8D x 29"1/2H



C) Ø63" x 29"1/2H



D) Ø86"5/8 x 29"1/2H



E) Ø78"3/4 x 30"H

