

Starman

Design: Ludovica & Roberto Palomba



Picture Composition C

Description

Sectional with structure in wood. Frame upholstery with multi-density expanded polyurethane, seat upholstery with multi-density expanded polyurethane covered with synthetic lining and back cushion upholstery filling 100% down with core in multi-density expanded polyurethane; outer cover in quilted synthetic lining and 100% white down proof cotton filled with 100% down. Feet in plastic, 2"H. Made in Italy.

Finishes and materials

Structure: Wood.

Cover: C.O.M. Fabric, Fabric, C.O.L. or Leather.

Feet: Plastic.

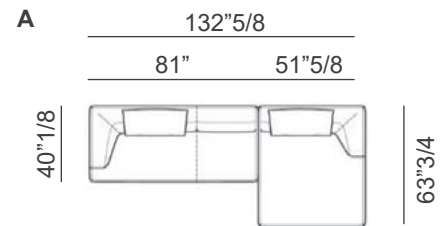
(For more specifications, please refer to "Finishes & Materials")

Starman

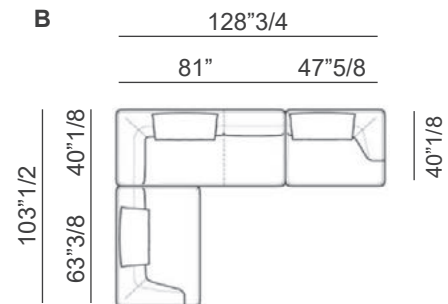
Dimensions

Seat height: 16"1/2
 Armrest height: 25"5/8

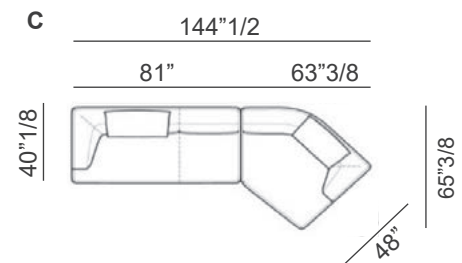
Composition A) 132"5/8W x 63"3/4D x 25"5/8H
 Left unit 81", chaise-longue with right short arm 51"5/8 x 63"3/4 + 2 back cushions.



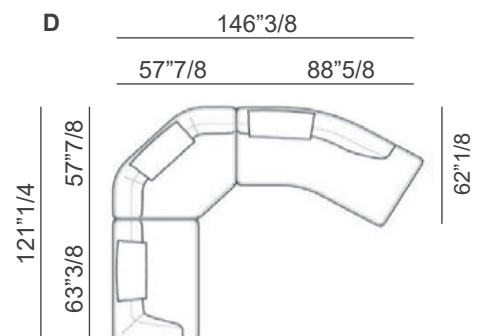
Composition B) 128"3/4W x 103"1/2D x 25"5/8H
 Left unit 63"3/8, left corner unit 81", right unit 47"5/8 + 3 back cushions.



Composition C) 144"1/2W x 65"3/8D x 25"5/8H
 Left unit 81", right unit 63"3/8 x 65"3/8 45° angle. As shown in picture + 2 back cushions.



Composition D) 146"3/8W x 121"1/4D x 25"5/8H
 left unit 63"3/8, corner 57"7/8 x 57"7/8, central unit 88"5/8 with 30° angle + 3 back cushions.



Starman

Dimensions

Seat height: 16"1/2

Armrest height: 25"5/8

Composition E) 136"5/8W x 139"D x 25"5/8H

Left unit 81" + corner 57"7/8 x 57"7/8 +

central unite 78"3/4 with right pouf + 4 back cushions.

