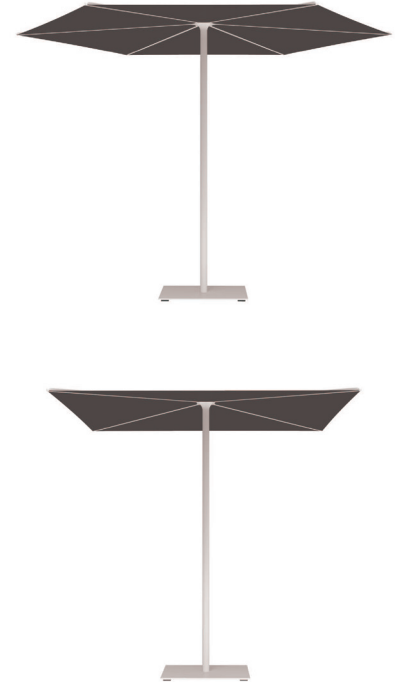


Oazz

Design: Kris Van Puyvelde



Description

Umbrella with frame, base and ribs made in coated aluminum and cover in fabric. It comes with an automatic opening system. Base is not included.

Designed by Royal Botania.

Finishes and materials

Frame, base and ribs: Coated aluminum.

Cover: Fabric.

Aluminium is a non-ferrous metal, which combines great mechanical rigidity with light weight; this makes it especially suitable for making furniture. If treated correctly it has a good resistance to corrosion. One of the treatments is powder coating. After a chemical pre-treatment an epoxy powder is applied statically and baked.

(For more specifications, please refer to “Finishes & Materials”)

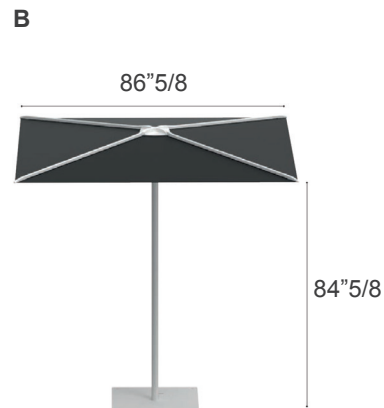
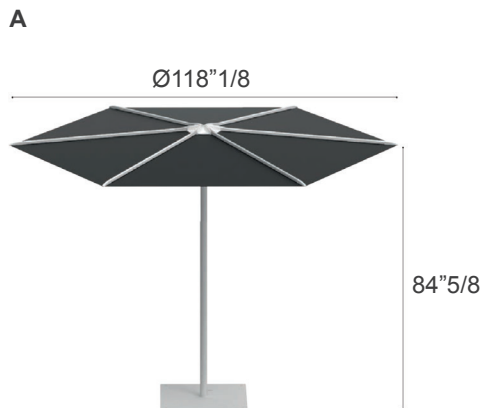
Oazz

Dimensions

A) $\text{Ø}118''\frac{1}{8} \times 84''\frac{5}{8}\text{H}$

B) $86''\frac{5}{8}\text{W} \times 86''\frac{5}{8}\text{D} \times 84''\frac{5}{8}\text{H}$

Base (not included): $27''\frac{1}{2}\text{W} \times 27''\frac{1}{2}\text{D} \times 1''\text{H}$



Oazz

Base

1: Ø29"1/2 x 1"H

2: 27"1/2W x 27"1/2D x 1"H

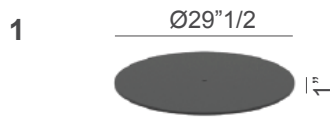
3: 38"1/8W x 38"1/8D x 1"H

4: 27"1/2W x 27"1/2D x 3/8"H

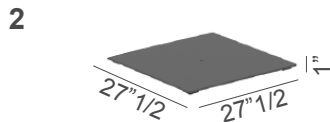
5: 27"1/2W x 27"1/2D x 2"H

6: Ø27"1/2 x 2"H

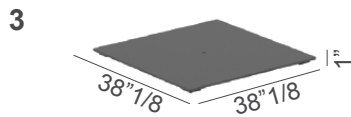
7: 27"1/2W x 27"1/2D x 3"1/8H



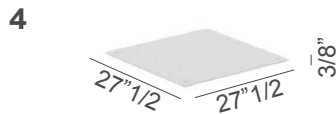
COATED METALIZED STEEL BASE
(White, Sand or Anthracite color)



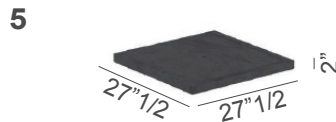
COATED METALIZED STEEL BASE
(White, Sand or Anthracite color)



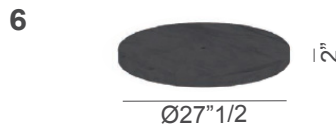
COATED METALIZED STEEL BASE
(White, Sand or Anthracite color)



STAINLESS STEEL BASE
(Brushed or electropolished)



GRANITE BASE



GRANITE BASE



MOBY BASE



- Brushed stainless steel body
- Nylon wheels and detachable handle for moving around on the terrace
- To be filled with gravel for added weight
- Polished stainless steel tube included

* For more specifications, please refer to the "Finishes & Materials" PDF