

Ming

Design: Pino Vismara

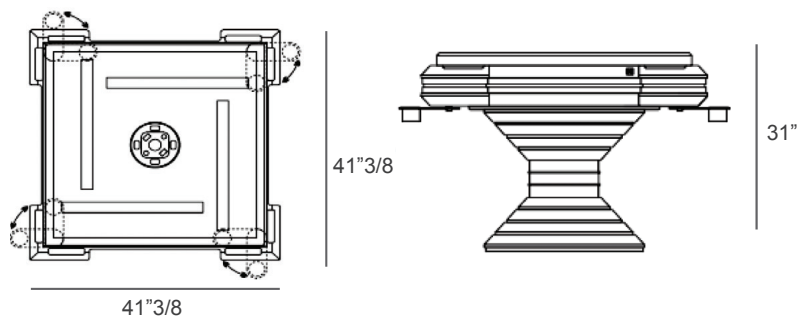


Description

Unique Automatic Mahjong table for 4 players. Equipped with an exclusive hidden mechanism for automatic tiles sorting manageable from panel in the middle of top. Playing surface covered with velvet cloth (available in blue and green color) or cowhide. Double USB port and glove compartment on each players position. Equipped with 2 magnetic tiles set in two different colors. Each set is composed by 144 tiles. Structure lacquered with steel details. This table can also be used for playing chess or checkers, by ordering the additional removable glass top. Available accessories: removable glass top, steel swivel cup holders and tiles box. Made in Italy.

Dimensions

41"3/8W x 41"3/8D x 31"H



Finishes and materials

Playing surface: Covered in Velvet (blue or green) or in Cowhide.

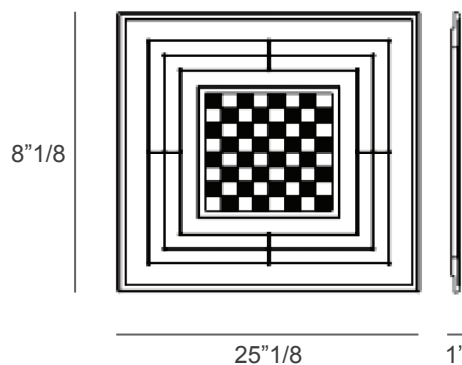
Structure: Lacquered wood with steel details in polished chrome or gold finish.

Ming

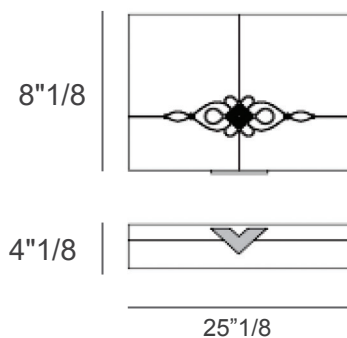
Optional accessories:

- **Removable Game Top:** Removable top with structure in lacquered wood with built-in tempered lacquered glass top with printed chessboard and mill game layout.
- **Tiles Box:** Wooden box for one Mahjong tiles set (144). Ebony Makassar inlaid with maple wood and mother-of-pearl on the lid. Handle in polished gold brass. Structure in Soft Touch lacquered finish.
- **Cup Holders:** Qty. 4 swiveling steel cup holders, placed under Mahjong top.

Removable Game Top:
37"3/8W x 37"3/8D x 1"H



Tiles Box:
25"1/8W x 8"1/8D x 4"1/8H



Cup Holder

