

Mirabilia



Description

Round Poker Table for 6 players. Hidden lift bar unit which rises from the table top powered by lithium battery rechargeable from electrical outlet. Inner space equipped with rotating plate with stainless steel glass and bottles holders and built-in chips space.

Slightly padded top in printed microfiber with Pantone cloth or Circus limited edition.

Soft touch lacquered table edge with built-in chips rack and steel cup holders. Helicoidal lacquered ring base with steel details.

Available accessories: aluminum chips case, inlaid ebony chips box, remote control. Made in Italy.

Dimensions

Ø63" x 31"H

When bar is lifted: 46"3/8H

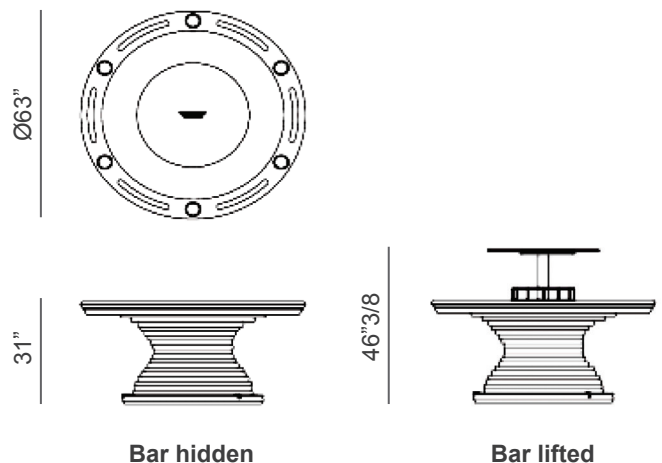
Finishes and materials

Metals: Stainless steel glass and bottle + cup holders in Polished Gold, Chrome or Black Nickel and Matt Bronze.

Playing surface: Cover with Pantone cloth or with Circus style, limited edition.

Edge: Soft Touch lacquered table edge.

Base: Lacquered with steel details.



(For more specifications, please refer to "Finishes & Materials")

Desire

Optional accessories:

- **Chips Box:** Wooden chips box with Ebony Makassar inlay with maple wood lid. Handle in polished gold brass. Structure lacquered in Soft Touch. Complete with 500 chips set, 2 decks of cards and 5 dices.
- **Chips Case:** Basic aluminum chips case. Complete with 500 chips set, 2 decks of cards and 5 dices.
- **Remote Control:** To manage lift mechanism.

Chips Box:

25"1/8W x 8"1/8D x 4"1/8H

