

Regis



Description

Professional 8ft or 9ft Pool Table with solid wood framework. Playing surface made of solid, smooth slate slab covered with pool cloth by leading company Simonis, available in different colors. Pockets covered with leather. Edges in European leather with lacquered wooden top. Four legs made of gold plated or chrome plated steel with European leather parts. Optional accessories: Dining covering top, Cue rack, Cues and balls set and Brush cloth. Made in Italy.

Finishes and materials

Playing surface: Solid, smooth slate slab covered with Simonis pool cloth (available in different colors).

Pockets: Covered with leather.

Edges: Covered in European leather with lacquered wood top.

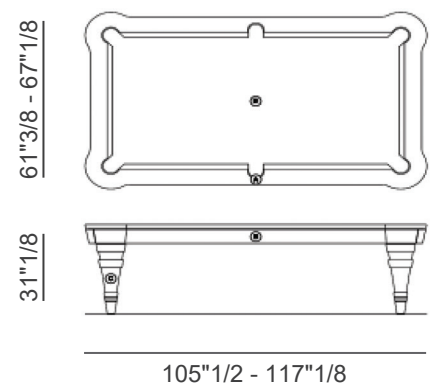
Legs: Gold or chrome plated steel with European leather parts.

(For more specifications, please refer to "Finishes & Materials")

Dimensions

8 feet: 105"1/2W x 61"3/8D x 31"1/8H
Playing surface: 88"1/8W x 44"D

9 feet: 117"1/8W x 67"1/8D x 31"1/8H
Playing surface: 100"W x 50"D



Regis

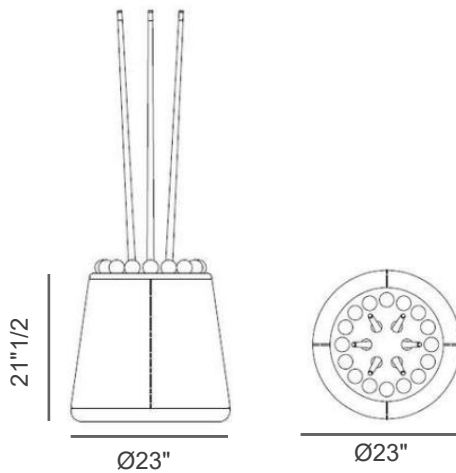
Optional accessories:

- **Cue Rack:** Free standing cue rack. Hole for 6 cues and space for max 16 balls. Top and base lacquered. Structure covered with European leather CAT. Soft.
- **Removable Dining top:** Structure divided in 3 pieces. Lacquered finish matching the pool table.
- **Cues set:** Qty. 6 cues in wood.
- **Balls set:** Qty. 16 billiard balls.
- **Brush cloth:** Qty. 1 felt cleaner that works by static electricity and by capillarity. Removes chalk and dust on Simonis cloth.

Dimensions

Cue Rack:

Ø23" x 21"1/2H



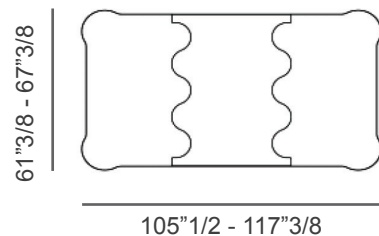
Removable Dining top:

For 8 feet Pool Table:

105"1/2W x 61"3/8D

For 9 feet Pool Table:

117"3/8W x 67"3/8D



Cues: 57" long

Balls

Snooker pool: Ø2"

American pool: Ø2"1/4

(For more specifications, please refer to "Finishes & Materials")