

Olà

Design: Fly Design Studio



Description

Ceiling lamp with powder coated metal frame and coated Italian glass pendants. Available in the following color combinations:

- A) Matt white frame with cold colored pendants;
- B) Silver leaf frame with transparent pendants;
- C) Matt black frame with smoky pendants;
- D) Matt bronze frame with warm colored pendants;
- E) Gold leaf frame with amber colored pendants;
- F) Copper leaf frame with copper colored pendants;
- G) Burnished frame with amber colored pendants.

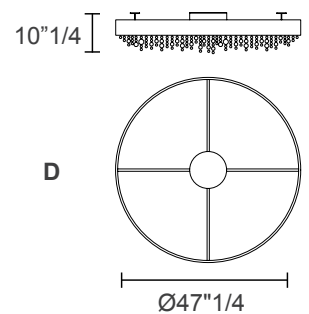
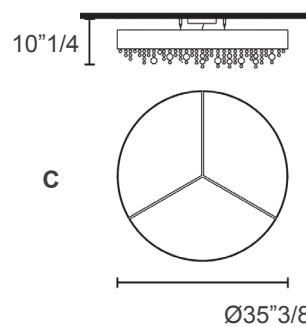
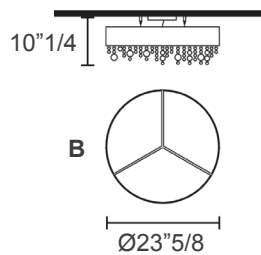
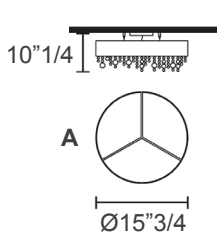
LED lighting. UL Approved.

Made in Italy.

Dimensions

A: Ø15"3/4 x 10"1/4H **B:** Ø23"5/8 x 10"1/4H

C: Ø35"3/8 x 10"1/4H **D:** Ø47"1/4 x 10"1/4H



Light source, size A:

Standard: 6 x E12 x 40Wmax LED:
13.7W CRI>95 3000K - 1348 lm

Dimmable: 1-10V + DALI + PUSH

Light source, size B:

Standard: 6 x E26 x 60Wmax
LED: 23.4W CRI>95 3000K - 2304 lm

Dimmable: 0-10V + DALI + PUSH

Light source, size C:

Standard: 8 x E26 x 60Wmax
LED: 31.2W CRI>95 3000K - 3072 lm

Dimmable: 0-10V + PUSH

Light source, size D:

Standard: 12 x E26 x
60Wmax
LED: 62.4W CRI>95
3000K - 6144 lm

Dimmable: 0-10V +
PUSH

Finishes and materials

Frame: Powder coated metal or Burnished finish.

Pendants: Glass with colored pendants.