

Olà

Design: Fly Design Studio



Description

Suspension lamp with powder coated metal frame and coated Italian glass pendants.

Available in the following color combinations:

- A) Matt white frame with cold colored pendants;
 - B) Silver leaf frame with transparent pendants;
 - C) Matt black frame with smoky pendants;
 - D) Matt bronze frame with warm colored pendants;
 - E) Gold leaf frame with amber colored pendants;
 - F) Copper leaf frame with copper colored pendants;
 - G) Burnished frame with amber colored pendants.
- LED lighting. UL Approved.
Made in Italy.

Dimensions

- OV30: 11"7/8W x 2"3/4D x 7"H + Tensors + Canopy
- OV50: 19"5/8W x 3"1/8D x 7"H + Tensors + Canopy
- OV100: 39"3/8W x 5"1/8D x 7"7/8H + Tensors + Canopy
- OV160: 63"W x 5"1/2D x 7"7/8H + Tensors + Canopy
- OV210: 82"5/8W x 7"7/8D x 7"7/8H + Tensors + Canopy

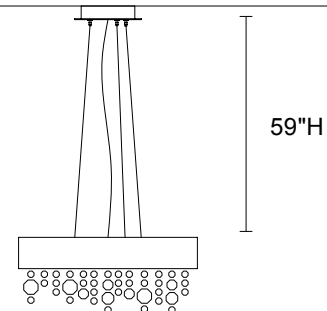
Finishes and materials

Frame: Powder coated metal or Burnished finish.

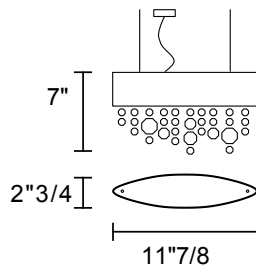
Pendants: Glass with colored pendants.

STANDARD TENSORS

FOR ALL SUSPENSIONS



OV30



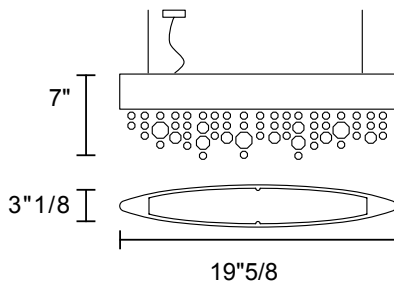
Light source, OV30:

Standard: 1 x E12 x 40Wmax

LED: UP: 4W CRI>95 3000K - 464 lm

DOWN: 4W CRI>95 3000K - 646 lm

OV50



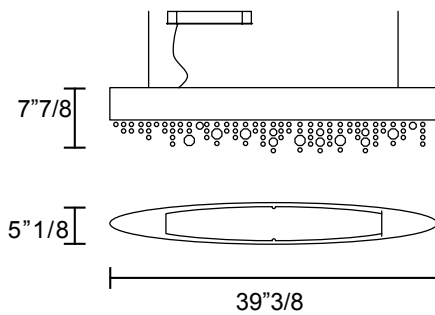
Light source, OV50:

Standard: 2 x E26 x 60Wmax

LED: UP: 5.2W CRI>95 3000K - 512 lm

DOWN: 7.8W CRI>95 3000K - 768 lm

OV100



Light source, OV100:

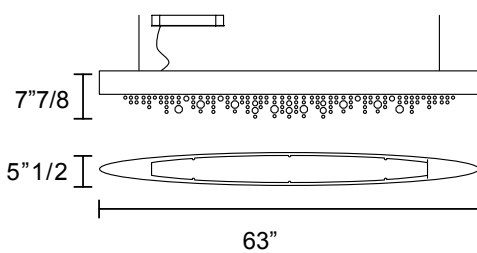
Standard: 4 x E12 x 40Wmax

LED: UP: 5.2W CRI>95 3000K - 512 lm

DOWN: 25.35W CRI>95 3000K - 2496 lm

Dimmable: 0-10V + DALI + PUSH

OV160



Light source, size OV160:

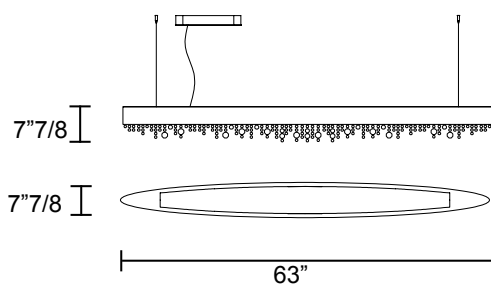
Standard: 6 x E12 x 40Wmax

LED: UP: 10.4W CRI>95 3000K - 1024 lm

DOWN: 50.7W CRI>95 3000K - 4992 lm

Dimmable: DALI + PUSH

OV210



Light source, OV210:

Standard: 8 x E12 x 40Wmax

LED: UP: 15.6W CRI>95 3000K - 1536 lm

DOWN: 70.2W CRI>95 3000K - 6912 lm

Dimmable: 0-10V + DALI + PUSH