

Plinto

Design: Pio & Tito Toso



Description

Bar table with central column base made of extruded aluminum, base in die-cast aluminum, all powder-coated. Base can be with or without ballast. Top in HPL or Ceramic. Resistant to weather and UV light. Made in Italy.

Finishes and materials

Structure: Aluminum.

Top: HPL or Bush-hammered Ceramic.

(For more specifications, please refer to "Finishes & Materials")

Plinto

Dimensions

Base

20"W x 20"D x 43"1/4H

Top

Round

Ø27"1/2
Ø31"1/2
Ø35"3/8
Ø39"3/8

Square

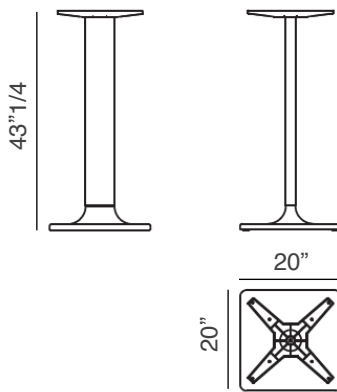
27"1/2 x 27"1/2
31"1/2 x 31"1/2
35"3/8 x 35"3/8

Square

with rounded corners

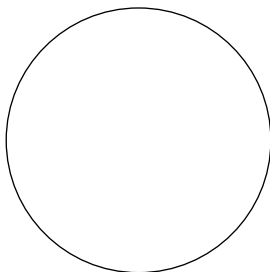
27"1/2 x 27"1/2
31"1/2 x 31"1/2
35"3/8 x 35"3/8

BASE



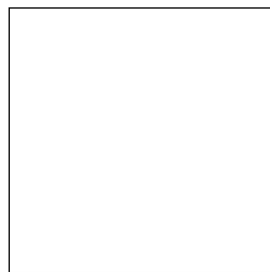
TOPS

Round



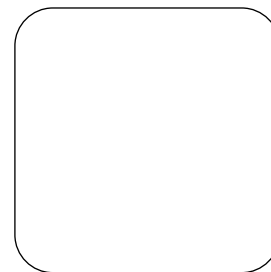
Ø27"1/2 / Ø31"1/2 / Ø35"3/8 /
Ø39"3/8 / Ø43"1/4* / Ø47"1/4*

Square



27"1/2 / 31"1/2 / 35"3/8

Square with rounded corners



27"1/2 / 31"1/2 / 35"3/8