

# Plinto

*Design: Pio & Tito Toso*



## *Description*

Bistrot table with central column base made of extruded aluminum, base in die-cast aluminum, all powder-coated. Top in HPL or Ceramic. Resistant to weather and UV light. Made in Italy.

## *Finishes and materials*

**Structure:** Aluminum.

**Top:** HPL or Bush-hammered Ceramic.

*(For more specifications, please refer to "Finishes & Materials")*

## Plinto

### Dimensions

#### Bases

20"W x 20"D x 28"3/4H  
20"W x 20"D x 26"H

#### Tops

**Round**  
Ø27"1/2  
Ø31"1/2  
Ø35"3/8  
Ø39"3/8

#### Square

27"1/2 x 27"1/2  
31"1/2 x 31"1/2  
35"3/8 x 35"3/8

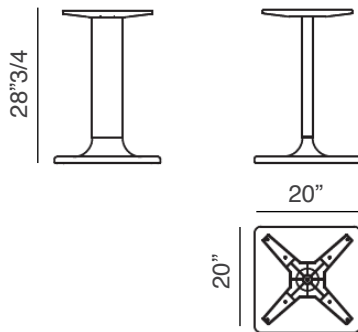
#### Square with rounded corners

27"1/2 x 27"1/2  
31"1/2 x 31"1/2  
35"3/8 x 35"3/8

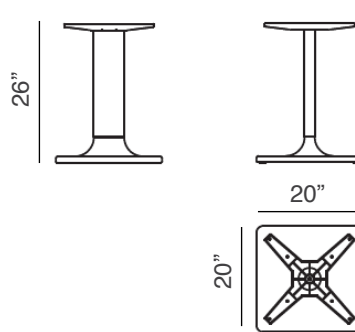
**Rectangular**  
19"5/8 x 27"1/2

#### BASES

A

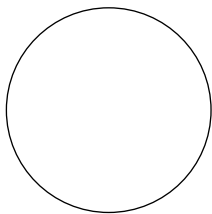


B



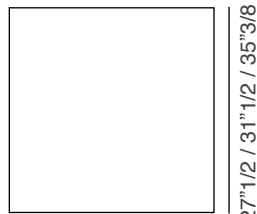
#### TOPS

Round



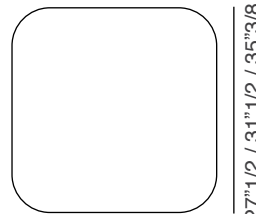
Ø27"1/2 / Ø31"1/2 /  
Ø35"3/8 / Ø39"3/8

Square



27"1/2 / 31"1/2 / 35"3/8

Square with rounded corners



27"1/2 / 31"1/2 / 35"3/8

Rectangular



27"1/2