

System

Design: Daniele Lo Scalzo Moscheri



Description

Bench with structure in powder coated aluminum, resistant to weather and UV light.

Seat made with cushion padded with a wide range of fabric options. Made in Italy.

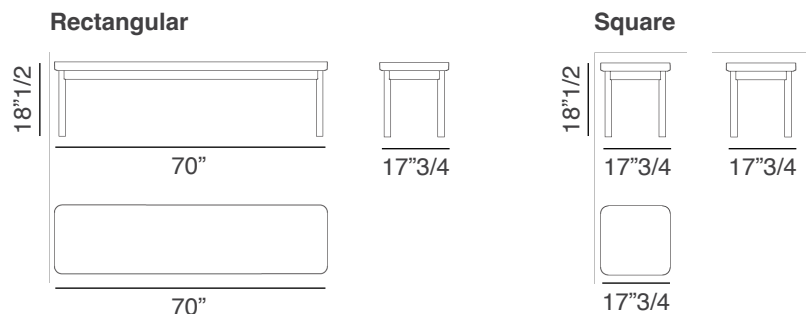
Dimensions

Rectangular

70"W x 17"3/4D x 18"1/2H

Square

17"3/4W x 17"3/4D x 18"1/2H



(For more specifications, please refer to "Finishes & Materials")