

System Star

Design: Daniele Lo Scalzo Moscheri



Description

Fixed table with powder coated aluminum structure. HPL or ceramic top (square, round, rectangular or shaped). Resistant to weather and UV light.

System Star stands out for its innovative rhomboidal shape of the legs intertwined in a play of lines, full and empty, with a light but characterizing presence. Made in Italy.

(For more specifications, please refer to "Finishes & Materials")

System Star

Dimensions

Square: 55"1/8W x 55"1/8D x 29"5/8H

Round A: Ø55"1/8 x 29"5/8H

Round B: Ø59" x 29"5/8H

Round C: Ø63" x 29"5/8H

Rectangular D: 78"3/4W x 39"3/8D x 29"5/8H

Rectangular E: 94"1/2W x 39"3/8D x 29"5/8H

Rectangular F: 102"3/8W x 39"3/8D x 29"5/8H

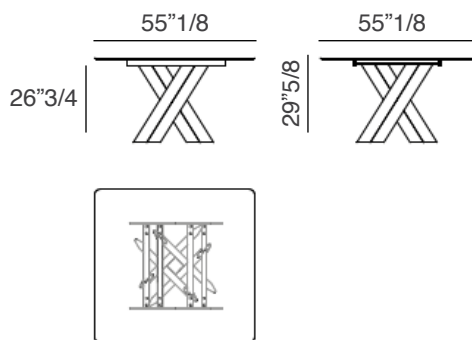
Shaped G: 86"5/8W x 47"1/4D x 29"5/8H

Shaped H: 110"1/4W x 47"1/4D x 29"5/8H

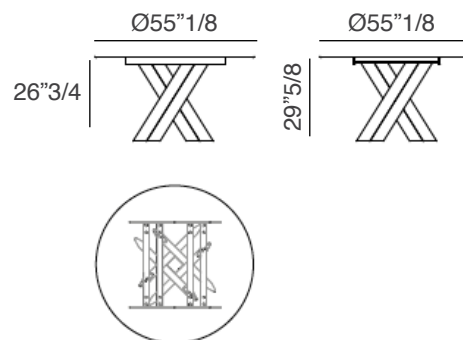
Rectangular J: 126"W x 51"1/8D x 29"5/8H

Rectangular K: 149"5/8W x 51"1/8D x 29"5/8H

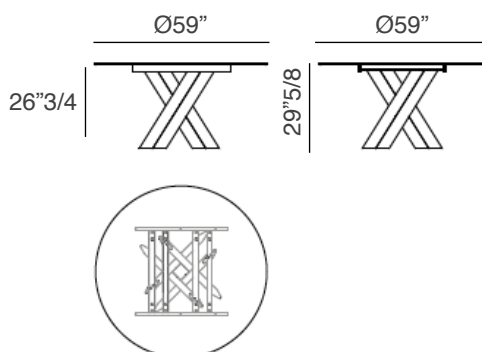
Square



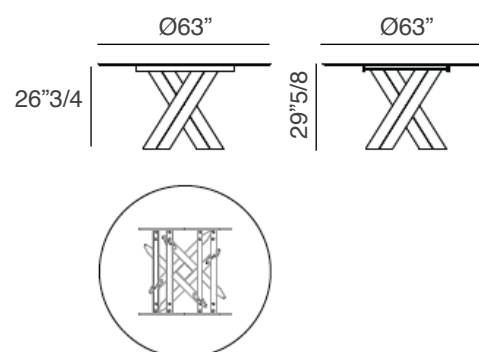
Round A



Round B



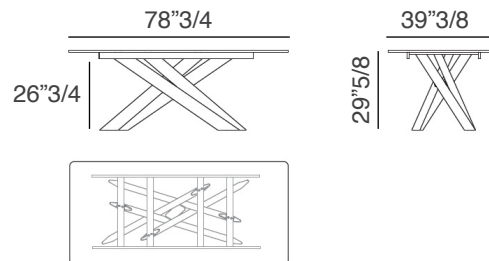
Round C



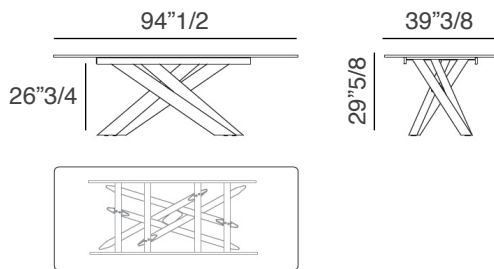
System Star

Dimensions (cont.)

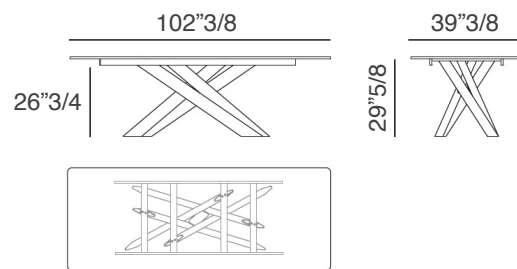
Rectangular D



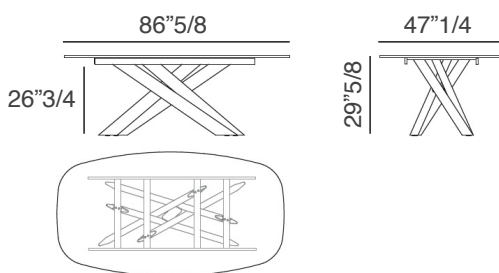
Rectangular E



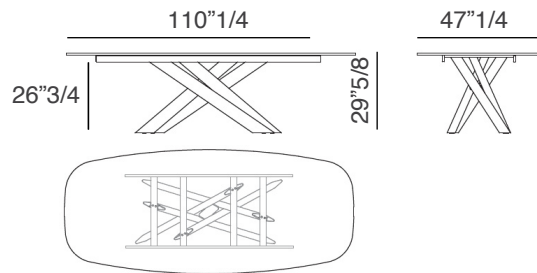
Rectangular F



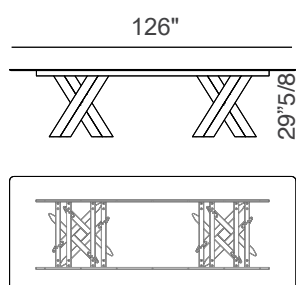
Shaped G



Shaped H



Rectangular J



Rectangular K

