

System

Design: Daniele Lo Scalzo Moscheri



Description

Table with powder coated aluminum structure. HPL or ceramic top in square or rectangular shape. Resistant to weather and UV light. Made in Italy.

Finishes and materials

Structure: Bronze or White, Silk Grey, Grey, Dark Brown or Black aluminum.

Top: HPL or Bush-hammered Ceramic.

(For more specifications, please refer to "Finishes & Materials")

System

Dimensions

Square A: 31"1/2W x 31"1/2D x 28"7/8H

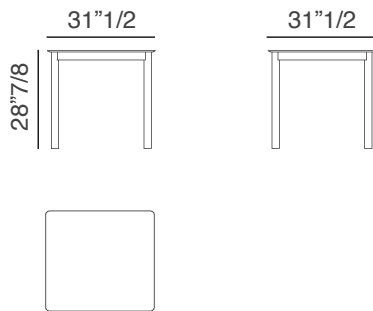
Square B: 39"3/8W x 39"3/8D x 28"7/8H

Rectangular C: 55"1/8W x 31"1/2D x 28"7/8H

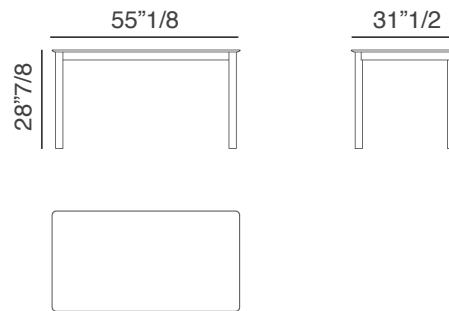
Rectangular D: 78"3/4W x 39"3/8D x 28"7/8H

Rectangular E: 94"1/2W x 39"3/8D x 28"7/8H

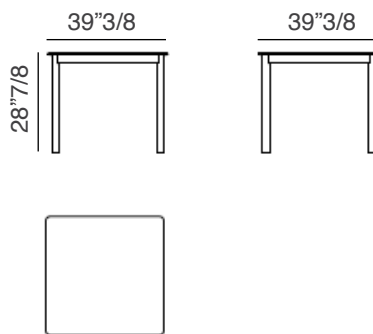
Square A



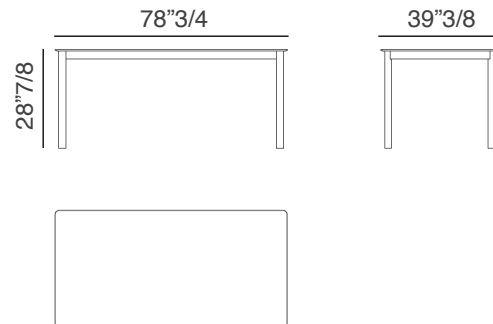
Rectangular C



Square B



Rectangular D



Rectangular E

