

Angelica

Design: Paolo Grasselli



Description

Wall lamp (on the axis 160° rotating).
Embossed white or black painted aluminum structure.
Metal parts are protected with electrolytic galvanizing treatment and resistant polyester coating.
Lampshade in washable fabric.
Made in Italy.

Light source:

1 x E26 - 42W HES

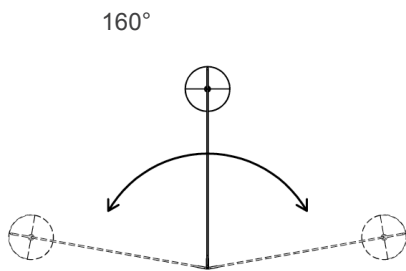
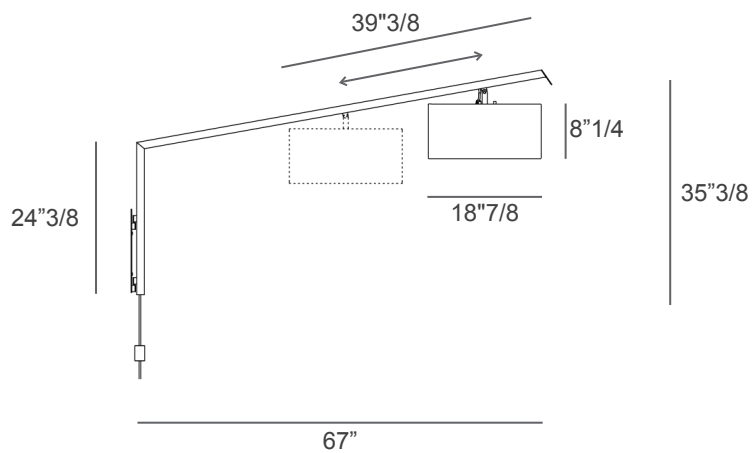
Finishes and materials

Structure: Lacquered aluminum protected with resistant polyester coating in White or Black.
Lampshade: Washable fabric.

Angelica

Dimensions

67"W x 35"3/8H x 18"7/8D



Fixing to wall accessory

