

## Lyz

*Design: Mario Ferrarini*



### *Description*

The Lyz chair and small armchair show the company's know-how in working with wood as a living material in relation to other different ones.

A relationship in which solid wood is the structure on which the upholstery comes to life, available in coverings depending on the collection. Chair and armchair with rotating conical central base in anthracite or black embossed painted metal with return mechanism.

Available with or without detail on the wooden seat base, seat and backrest padded in fireproof polyurethane foam. Finishes and coatings according to collection. Made in Italy.

### *Finishes and materials*

**Cover:** Fabric, Eco-leather or Leather.

**Seat detail:** Wood

**Cone base:** Metal.



## Lyz

### Dimensions

#### Chair:

22"W x 25"1/8D x 32"1/4H

Seat height: 18"1/2

Armrest height: 22"

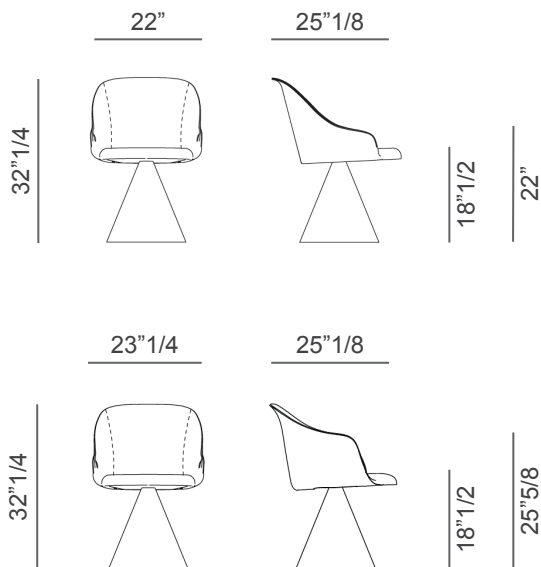
#### Armchair:

23"1/4W x 25"1/8D x 32"1/4H

Seat height: 18"1/2

Armrest height: 25"5/8

#### With Seat Details



#### Without Seat Details

