

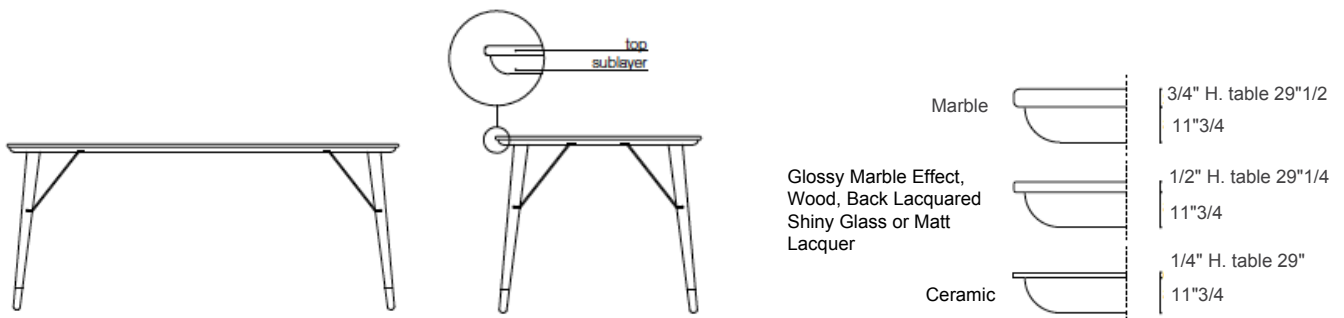
Merge

Design: Presotto Studio



Description

Table with a structure made of wooden legs with Metal Standard sublayer thickness 11"3/4. The rods are made from machined metal with a Metal Standard finish. Top in Marble with a thickness of 3/4", Ceramic with a thickness of 1/4" and Glossy Marble Effect, Wood, Back Lacquered Shiny Glass or Matt Lacquer with a thickness of 1/2". Made in Italy.



Merge

Dimensions

Round A: Ø47"1/4 x 28"3/4H + top

Round B: Ø59" x 28"3/4H + top

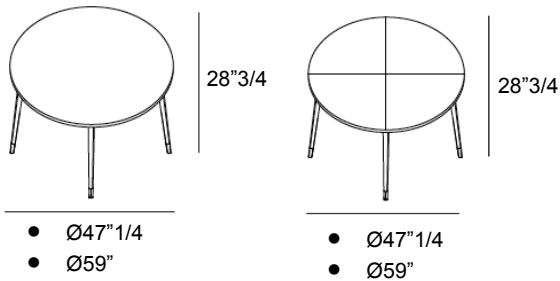
Shaped: 94"1/2W x 43"1/4D x 28"3/4H + top

Rectangular A: 70"7/8W x 35"3/8D x 28"3/4H + top

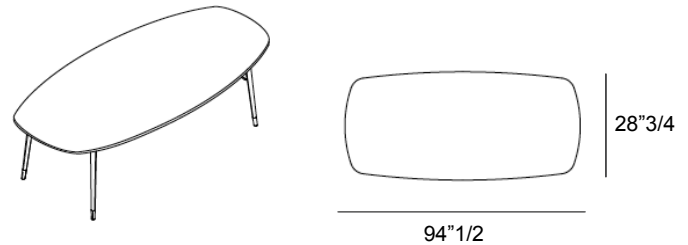
Rectangular B: 94"1/2W x 39"3/8D x 28"3/4H + top

Round

the wood version has the top divided into 4 parts



Shaped



Rectangular

