

Maestro

Design: Gianfranco Frattini



Description

Table composed of a base made of solid bleached ash, black ash wood or dark stained walnut which emphasizes and embellish the structure. The slatted stylish design is synonymous of quality and authenticity.

The top is made of 1"1/8 thick medium density wood fibre, with a special inlaid and brushed open grain veneer, in black ash or dark stained walnut finishes.

Made in Italy.

Finishes & Materials

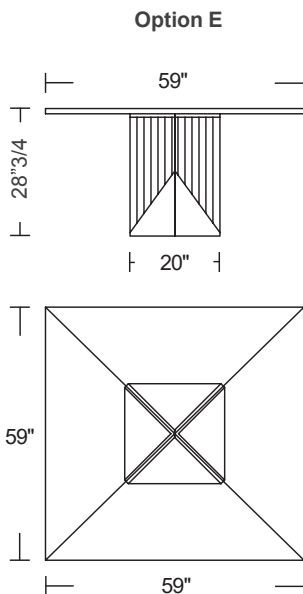
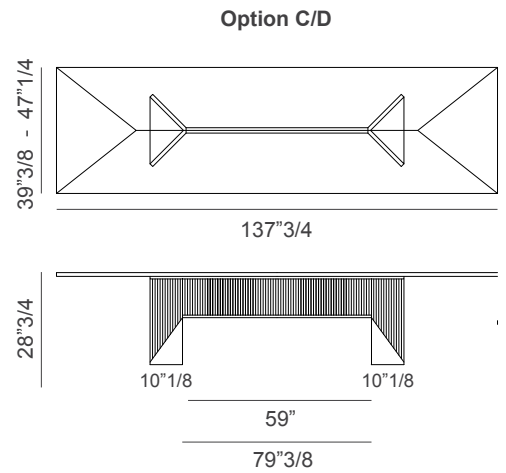
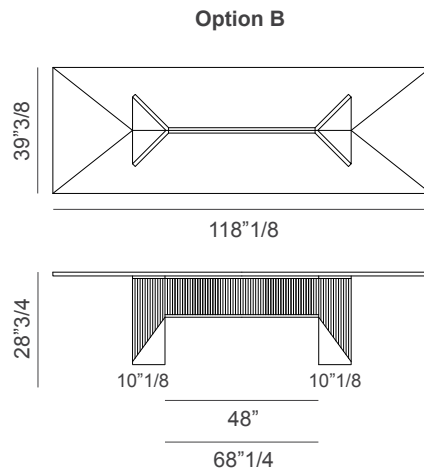
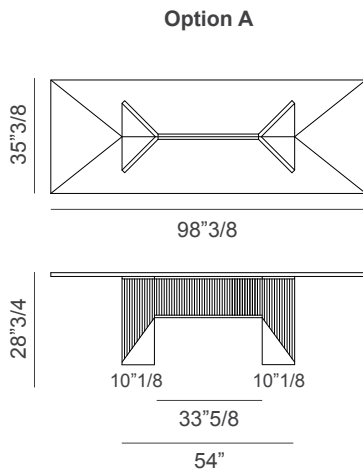
Wood structure: Bleached ash, black ash and dark stained walnut.

* For more specifications, please refer to the "Finishes & Materials" PDF

Maestro

Dimensions

- A) 98"3/8W x 35"3/8D x 28"3/4H
- B) 118"1/8W x 39"3/8D x 28"3/4H
- C) 137"3/4W x 39"3/8D x 28"3/4H
- D) 137"3/4W x 47"1/4D x 28"3/4H
- E) 59"W x 59"D x 28"3/4H



TOP DETAIL (in black ash wood)

TOP DETAIL (in dark stained walnut)



* For more specifications, please refer to the "Finishes & Materials" PDF