

NVL

Design: Jean Nouvel Design



Description

A table made from only one material with refined lines that convey strong personality. The table top appears thin and light and seems to float above the base. The central support consists of two volumes that are tapered on the upper part to create two symmetrical bases that support the top.

The bases and undertop flange are made of moulded high density rigid polyurethane joined together with a mechanical fastener. Each base has a closing plate and internal anti-tilt weight in moulded cast iron, epoxy powder coated in matt black, with specific places for slides and felt pads.

The 1" thickness top in medium density fibreboard closes the table's "monolithic" look, with a snap clip and hidden points for fastening to the flange below. The point in which the two parts join creates an elegant rebate, which is a very pleasant technical/aesthetic detail.

Two models are available: with round or oval top. The bases, undertop flange and top are always monochromatic, lacquered or faced with the application of 1/8" slabs, in the variants:

Matt lacquer, in white, black and red, glossy lacquer, in white, black, red and coral red, materials in the variants reconstructed black Ebony marble, reconstructed white Carrara marble and reconstructed stone, reconstructed stone white Calce and black slate. Made in Italy.

Finishes & Materials

Top & Frame: Matt lacquered / Gloss lacquered / Reconstructed marble / Reconstructed stone.

* For more specifications, please refer to the "Finishes & Materials" PDF

NVL

Dimensions

Round top:

A) $\text{Ø}59'' \times 29''\frac{1}{8}\text{H}$

Base: $\text{Ø}19''\frac{5}{8}$

B) $\text{Ø}70''\frac{7}{8} \times 29''\frac{1}{8}\text{H}$

Base: $\text{Ø}23''\frac{5}{8}$

Oval top:

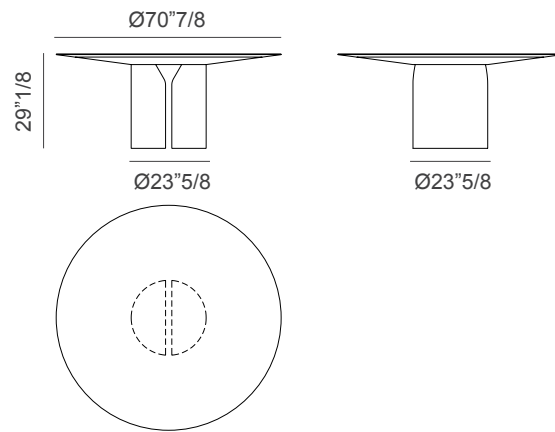
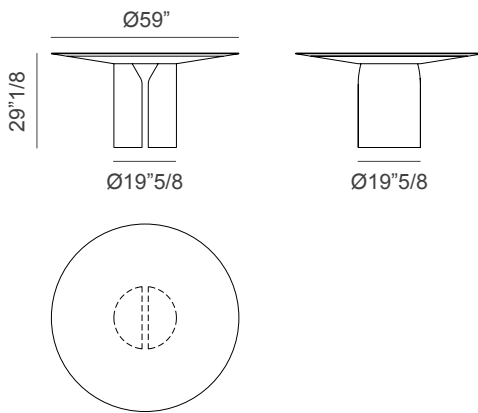
A) $78''\frac{3}{4}\text{W} \times 47''\frac{1}{4}\text{D} \times 29''\frac{1}{8}\text{H}$

Base: $\text{Ø}23''\frac{5}{8}$

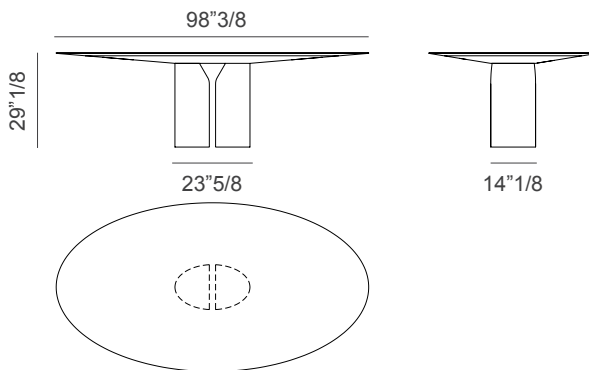
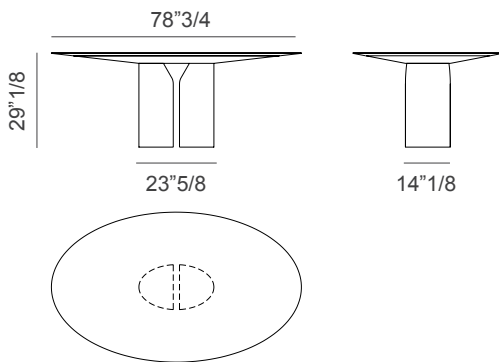
B) $98''\frac{3}{8}\text{W} \times 51''\frac{1}{8}\text{D} \times 29''\frac{1}{8}\text{H}$

Base: $\text{Ø}23''\frac{5}{8}$

ROUND TABLE



OVAL TABLE



NVL

Dimensions

Oval top:

C) 118"1/8W x 51"1/8D x 29"1/8H

