

## 20.Venti Home Light

*Design: 967ARCH*



### *Description*

Desk created mainly for the domestic environment. It fits perfectly in all rooms of the house thanks to its neutral, simple, compact and linear design and the highest quality of materials.

It comes in one size with adjustable aluminum feet with range +/- 3/8. The structure is composed by a steel frame with legs (section 3/4" x 3/4") painted with epoxy powder in matt white, black nickel or bronze colors. The top is made with oak veneered medium density fibre panels, brushed and open pore, in the colors bleached, light and anthracite oak.

This working desk is equipped with an aluminum opening for cable management, matt white painted on the white painted tables and matt black painted for the black nickel and bronze versions. A steel cable collection spring, available in the colors black and white, is available as optional.

Moreover, upon request, some accessories made of sheet steel painted with epoxy powders in the matt colors white or graphite grey, are available in 2-piece kits, and divided into the following options:

Pen holder • Bookends • Horizontal document holder • Vertical document holder.

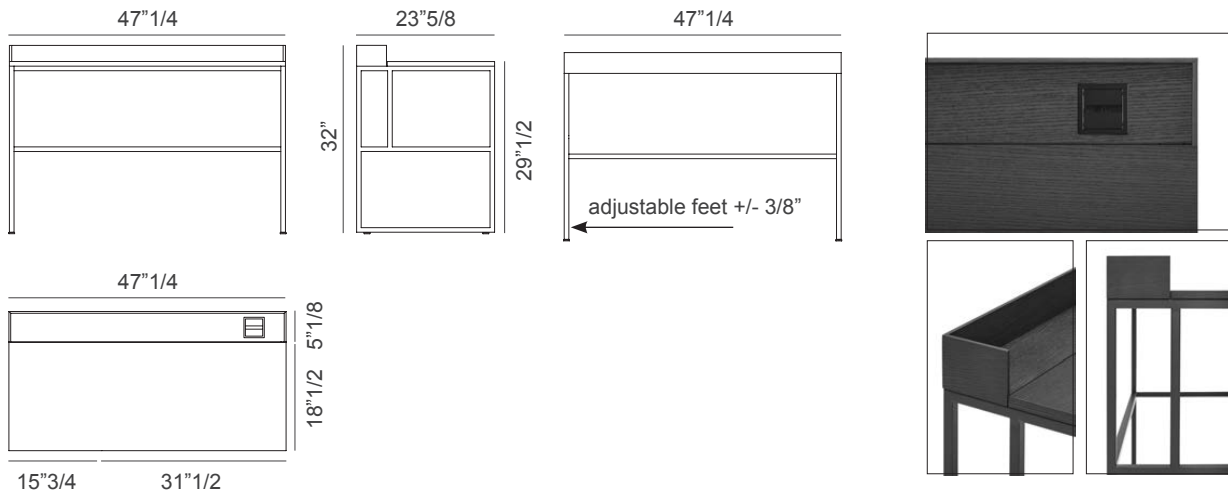
Made in Italy.

\* For more specifications, please refer to the "Finishes & Materials" PDF

## 20.Venti Home Light

### Dimensions

47"1/4W x 23"5/8D x 32"H



Stationary and document holder: Pen holder • Bookends • Horizontal / vertical document holder



#### Optional accessories

Pen holder: 9"7/8 x 4"3/4D x 2"3/8H

Bookends: 8"1/4W x 5"1/8D x 8"1/4H

Hor. doc. holder: 12"3/4W x 10"1/8D x 2"1/8H

Ver. doc. holder: 3"5/8W x 9"3/8D x 10"7/8H

### Finishes & Materials

#### Structure combinations:

**Frame:** Matt white painted / **Top:** Bleached oak

**Frame:** Lead black painted / **Top:** Brown oak

**Frame:** Lead black painted / **Top:** Canaletto walnut

**Optional steel accessories:** Matt white / Matt graphite grey.

\* For more specifications, please refer to the "Finishes & Materials" PDF