

Mamba Light

Design: Victor Vasilev



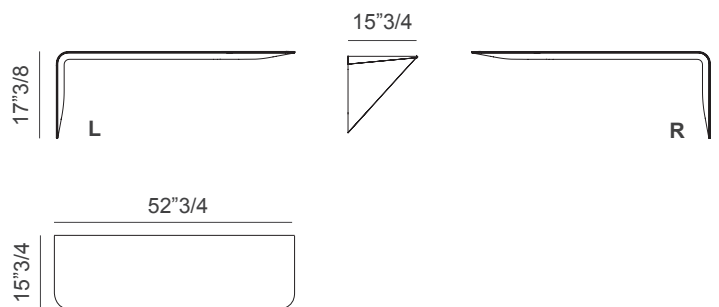
Description

Suspended desk with a minimal form and tapered thickness which create a product with a unique, highly iconic design. Its key features are its formal strength and the versatility with which it can be easily integrated with other furnishings. It's an "accent" that can interact spontaneously with its surroundings and be used in many different ways.

The frame is in medium density fibreboard with varying thicknesses and moulded into a curve. Available in the finishes: matt lacquered white, canaletto walnut or black ash. It is attached to the wall with a bracket. Made in Italy.

Dimensions

52³/₄W x 15³/₄D x 17³/₈H



Finishes & Materials

Wood frame: Lacquered / Wood.

* For more specifications, please refer to the "Finishes & Materials" PDF