

## Nilson (size A)

*Design: Lievore Altherr*



### *Description*

Lounge chair with matching footrest. Metal structure, armrests in curved plywood, padding in non-deformable expanded polyurethane with differentiated densities. Lining in canvas coupled with polyester fiber and Velfodera. Four-legged base in bronzed lacquered cast aluminium with tilting and swiveling mechanism, with automatic return. Covers in fabrics or leathers as per collection or customer's own material. The covers can be completely and easily removed except for the leather version. Made in Italy.

### *Finishes & Materials*

**Base:** Bronze lacquered cast aluminum.

**Cover:** C.O.M., Fabric Cat. A, Extra, Super, Special, Top or Luxus. Leather Cat. Leather or Leather Extra.

\* For more specifications, please refer to the "Finishes & Materials" PDF

## Nilson

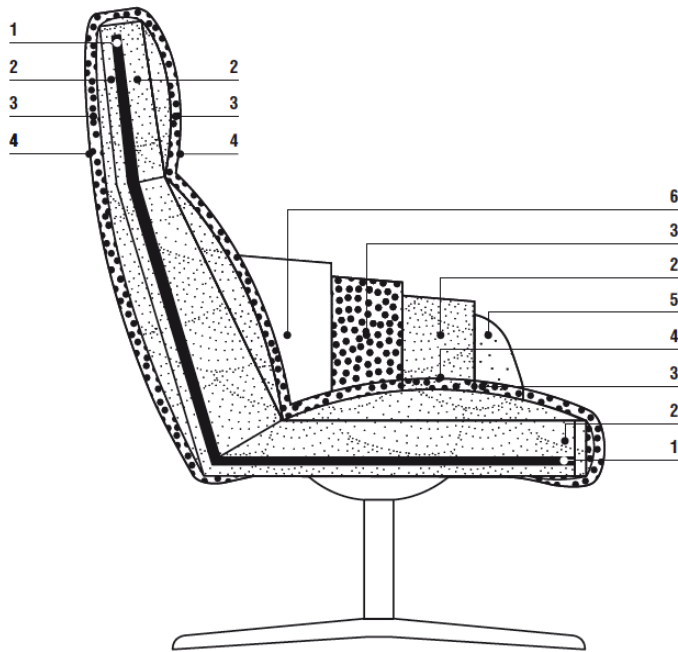
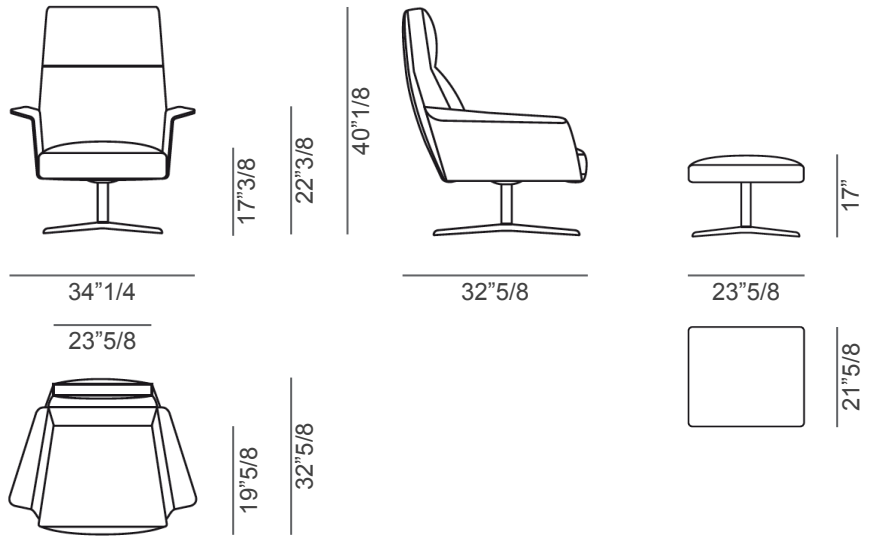
### Dimensions

34"1/4W x 32"5/8D x 40"1/8H

Seat height: 17"3/8

#### Footrest:

23"5/8W x 21"5/8D x 17"H



1. Metal frame
2. Differentiated density polyurethane
3. Polyester fibers
4. Fabric lining
5. Curved plywood
6. Velfodera

\* For more specifications, please refer to the "Finishes & Materials" PDF

## Nilson (size B)

*Design: Lievore Altherr*



### *Description*

Swivel lounge chair with high backrest and reclining headrest, with metal mechanism. Structure in solid wood and plywood, armrests in curved plywood, padding in non-deformable expanded polyurethane with differentiated densities. Lining in canvas coupled with polyester fibers and Velfodera. Four-legged swivel base in bronzed lacquered cast aluminium. Covers in fabrics or leathers as per collection or customer's own material. The covers can be completely and easily removed except for the leather version. Upon request, armrests are available in dark brown cowhide leather with visible cut and sew or upholstered with the leathers available in collection. Matching footrest available on demand. Made in Italy.

### *Finishes & Materials*

**Base:** Bronze lacquered cast aluminum.

**Cover:** C.O.M., Fabric Cat. A, Extra, Super, Special, Top or Luxus. Leather Cat. Leather or Leather Extra.

**Armrests:** Dark brown hide leather, Leather Cat. Leather or Leather Extra or same cover as sofa.

\* For more specifications, please refer to the "Finishes & Materials" PDF

## Nilson

### Dimensions

38"5/8W x 38"5/8D x 37"H

Seat height: 16"1/2

Armrest height: 21"5/8

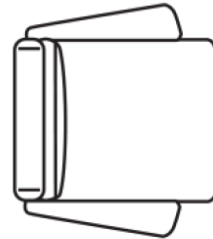
Suggested cushion:

18"1/2W x 18"1/2H



37"

38"5/8



7"

16"1/2

21"5/8

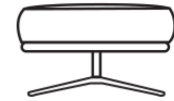
6"1/4

38"5/8

21"5/8

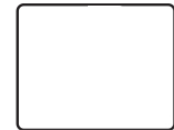
Footrest:

26"W x 21"1/4D x 16"1/8H

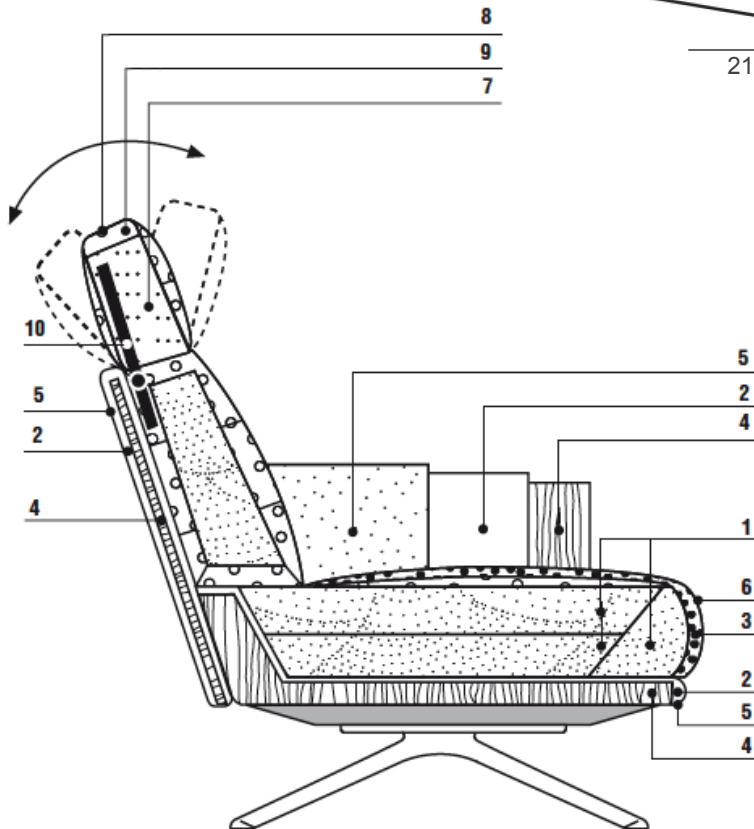


16"1/8

26"



21"1/4



1. Differentiated density polyurethane
2. Polyurethane
3. Polyester fibers
4. Frame in solid wood and plywood
5. Velfodera
6. Fabric lining
7. Polyurethane insert
8. Featherproof fabric cover
9. Feathers
10. Metal mechanism

Swivel base:

Bronze lacquered cast aluminum



\* For more specifications, please refer to the "Finishes & Materials" PDF

## Nilson (size C)

*Design: Lievore Altherr*



### *Description*

Swivel lounge chair with structure in solid wood and plywood, armrests in curved plywood, padding in non-deformable expanded polyurethane with differentiated densities. Lining in canvas coupled with polyester fibers and Velfodera. Four-legged swivel base in bronzed lacquered cast aluminium. Covers in fabrics or leathers as per collection or customer's own material. The covers can be completely and easily removed except for the leather version. Upon request, armrests are available in dark brown cowhide leather with visible cut and sew or upholstered with the leathers available in collection. Matching footrest available on demand. Made in Italy.

### *Finishes & Materials*

**Base:** Bronze lacquered cast aluminum.

**Cover:** C.O.M., Fabric Cat. A, Extra, Super, Special, Top or Luxus. Leather Cat. Leather or Leather Extra.

**Armrests:** Dark brown hide leather, Leather Cat. Leather or Leather Extra or same cover as sofa.

\* For more specifications, please refer to the "Finishes & Materials" PDF

## Nilson

### Dimensions

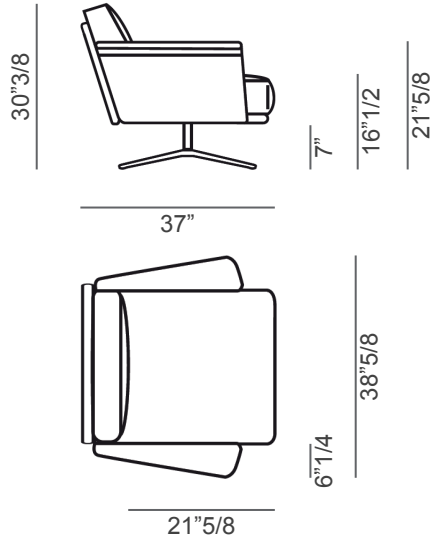
38"5/8W x 37"D x 30"3/8H

Seat height: 16"1/2

Armrest height: 21"5/8

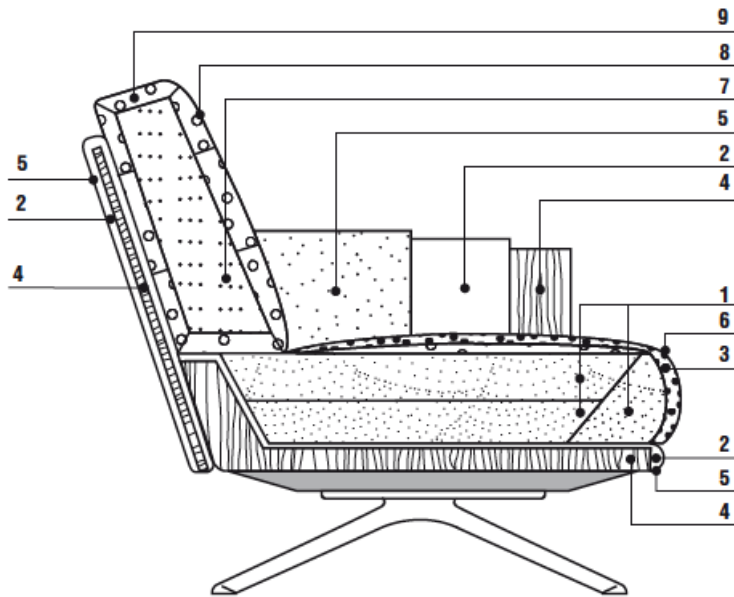
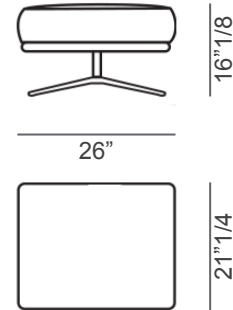
Suggested cushion:

18"1/2W x 18"1/2H



Footrest:

26"W x 21"1/4D x 16"1/8H



1. Differentiated density polyurethane
2. Polyurethane
3. Polyester fibers
4. Frame in solid wood and plywood
5. Velfodera
6. Fabric lining
7. Polyurethane insert
8. Featherproof fabric cover
9. Feathers

Swivel base:

Bronze lacquered cast aluminum



\* For more specifications, please refer to the "Finishes & Materials" PDF