

Nilson

Design: Lievore Altherr



Description

Sectional composed of a left or right side element and a left or right chaise lounge. Structure in solid wood and plywood, armrests in curved plywood, padding in non-deformable expanded polyurethane with differentiated densities. Lining in canvas coupled with polyester fibers and Velfodera. Bronzed lacquered cast aluminium feet. Covers in fabrics or leathers as per collection or customer's own material. The covers can be completely and easily removed except for the leather version. Upon request, armrests are available in dark brown cowhide leather with visible cut and sew or upholstered with the leathers available in collection. Optional armrest cushions completely filled with feathers are also available. Made in Italy.

Finishes & Materials

Feet: Bronze lacquered cast aluminum.

Cover: C.O.M., Fabric Cat. A, Extra, Super, Special, Top or Luxus. Leather Cat. Leather or Leather Extra.

Armrests: Dark brown hide leather, Leather Cat. Leather or Leather Extra or same cover as sofa.

* For more specifications, please refer to the "Finishes & Materials" PDF

Nilson

Dimensions

SIDE ELEMENTS

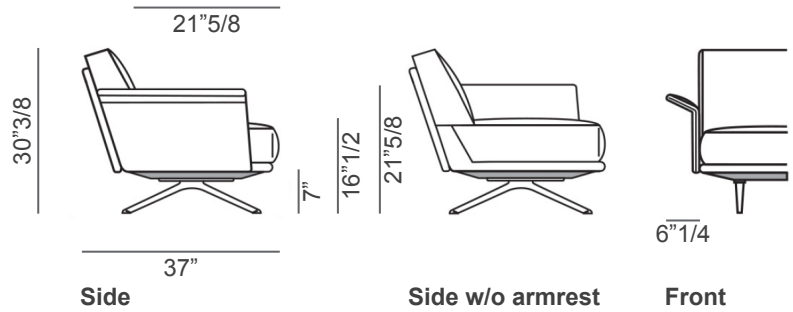
A: 69"5/8W x 37"D x 30"3/8H

B: 81"1/2W x 37"D x 30"3/8H

C: 93"1/4W x 37"D x 30"3/8H

Seat height: 16"1/2

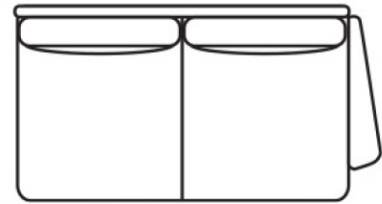
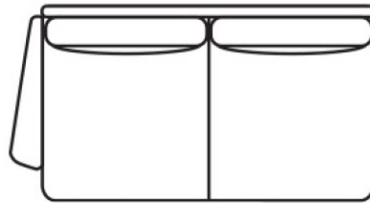
Armrest height: 21"5/8



LEFT

RIGHT

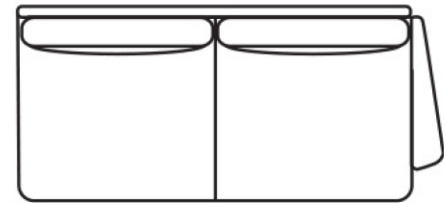
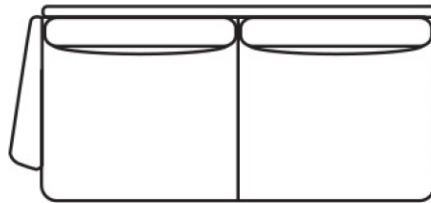
A



69"5/8

69"5/8

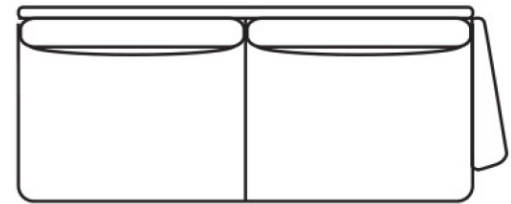
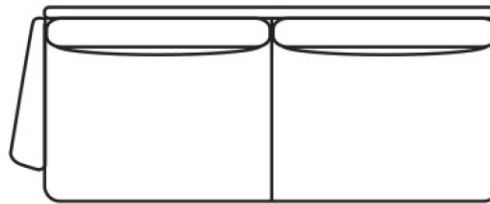
B



81"1/2

81"1/2

C



93"1/4

93"1/4

* For more specifications, please refer to the "Finishes & Materials" PDF

Nilson

CHAISE LOUNGE

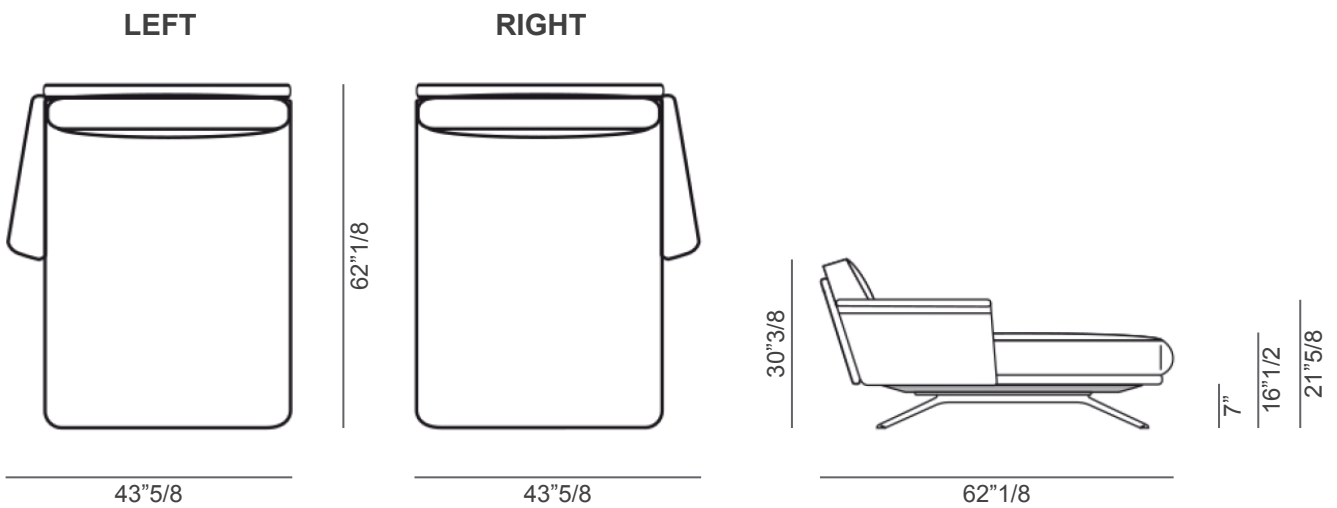
43"5/8W x 62"1/8D x 30"3/8H

Seat height: 16"1/2

Armrest height: 21"5/8

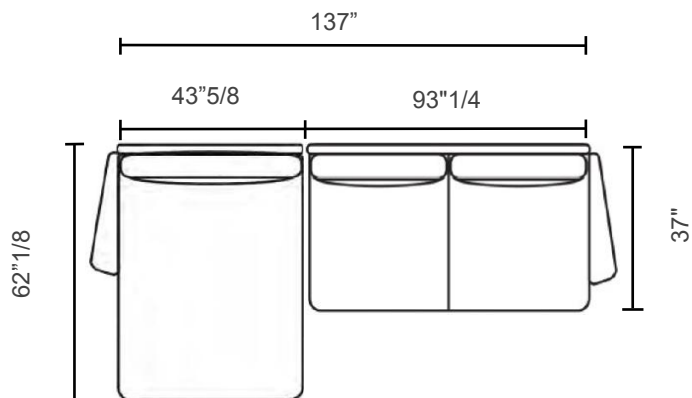
Suggested armrest cushions:

2x 18"1/2W x 18"1/2H

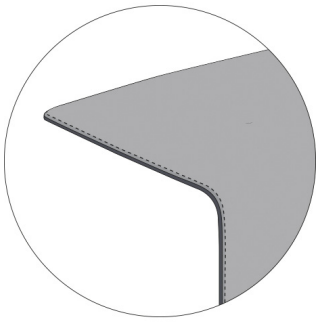


Dimension:

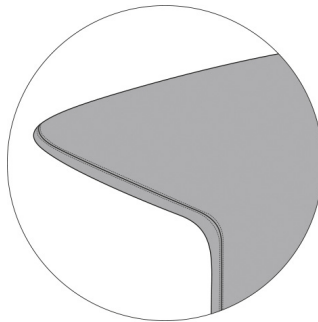
Composition 1: 137"W x 62"1/8D x 30"3/8H



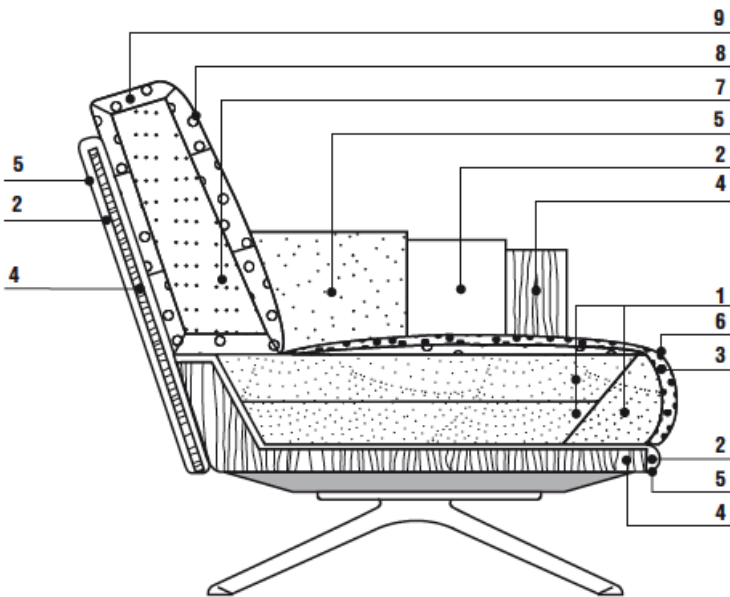
Nilson



Dark brown hide leather armrest



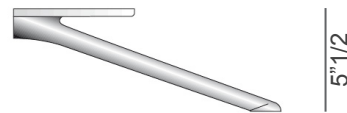
Leather armrest



1. Differentiated density polyurethane
2. Polyurethane
3. Polyester fibers
4. Frame in solid wood and plywood
5. Velfodera
6. Fabric lining
7. Polyurethane insert
8. Featherproof fabric cover
9. Feathers

Feet:

Bronze lacquered cast aluminum



* For more specifications, please refer to the "Finishes & Materials" PDF