

20.Venti High

Design: 967ARCH



Description

Desk in which the contrast between full and empty volumes, the carefully studied combination of various finishes and the cables built into the bearing frame define an renewed proposal for office furnishings.

Steel frame and legs, section 3/4"x3/4" painted with epoxy powder in the matt colors white and graphite grey. Structural wireway made of medium density fibreboard two-tone surfaced panels, thickness 3/4", with the outside in matt colors white or graphite grey, and the inside always in medium grey. Adjustable aluminum feet with range of +/- 3/8".

Tops are made of medium density fibreboard panels covered with Fenix NTM laminate in the matt colors white, light grey, medium grey and black. The desk has a structural wireway that can be accessed via a central cable management opening, made of epoxy painted aluminum in the colors white or graphite grey (matching the color of the table frame) with flap and cable access gasket. Moreover, a wide selection of accessories are available upon request (see more details on next pages). Made in Italy.

Finishes & Materials

Top: Fenix (Matt white / Matt light grey / Matt medium grey / Matt black).

Frame & Accessories: Matt painted white / Matt painted graphite grey.

Open compartments: Matt lacquered wood (White / Orange / Green / Avio blue / Mustard yellow / Dark red).

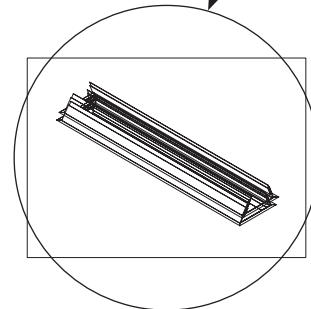
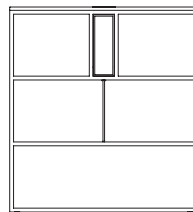
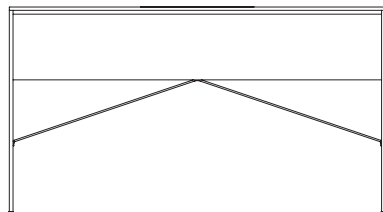
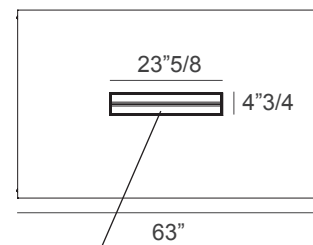
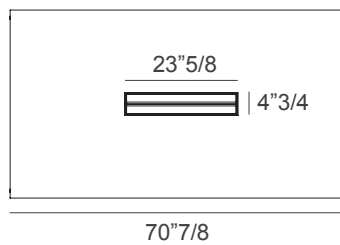
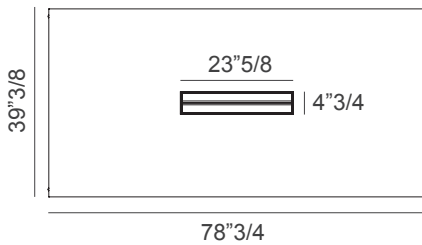
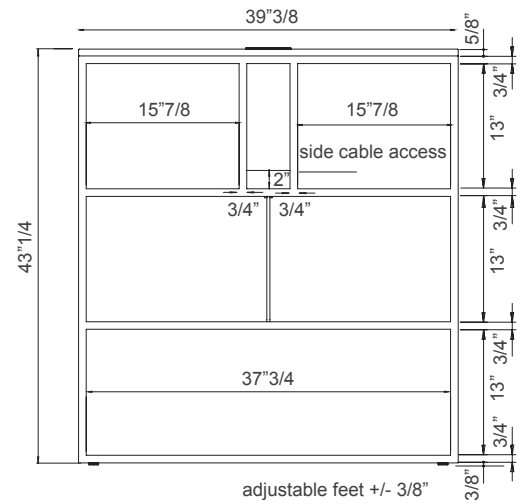
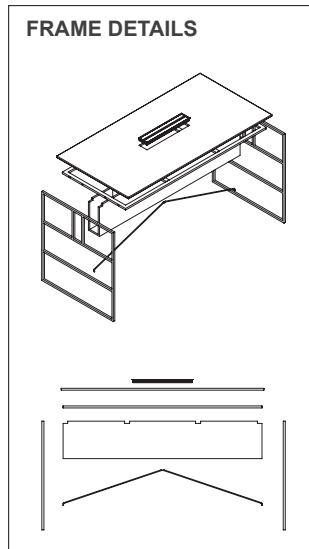
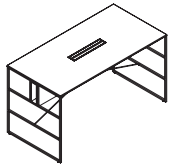
* For more specifications, please refer to the "Finishes & Materials" PDF

20.Venti

Dimensions

- A) 63"W x 39"3/8D x 43"1/4H
- B) 70"7/8W x 39"3/8D x 43"1/4H
- C) 78"3/4W x 39"3/8D x 43"1/4H

HIGH DESK



20.Venti

Accessories



Sound-absorption screen and open compartment

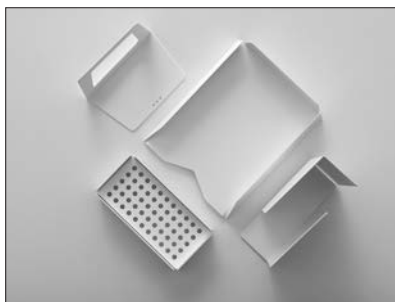
. **OPEN COMPARTMENT:** inserted on the side of the frame, simply placed and available for the single and double version with front seats; produced in medium density fibreboard, thickness 3/8", available micro goffered lacquered in the colours white, orange, green, avio blue, mustard yellow and dark red.

. **SOUND-ABSORPTION SCREEN:** panel with variable density internal padding patented by Snowsound Technology, external polyester fabric cover Trevira CS white and light grey. Available in 17"3/8H and 62"1/2W or 70"1/2W. Provided with a pair of zamak joints to secure them to the top, painted with epoxy powder in the matt colors white and graphite grey.



Pc stand with castors

. **PC STAND WITH CASTORS:** made of sheet steel painted with epoxy powders in the matt colors white and graphite grey, with castors, in the size: 9"5/8W x 22"5/8D x 22"7/8.



Stationary and document holder: pen holder, bookends, document holder



. **STATIONARY AND DOCUMENT HOLDER:** made of sheet steel painted with epoxy powders in the matt colors white and graphite grey, available in 2-piece kits, and divided into following options:

Pen holder: 9"7/8 x 4"3/4D x 2"3/8H

Bookends: L21, D13 and H21 cm

Hor. doc. holder: 12"3/4W x 10"1/8D x 2"1/8H

Ver. doc. holder: 3"5/8W x 9"3/8D x 10"7/8H