

Cosy

Design: Francesco Rota



Description

Cosy comes from the idea to offer high comfort with a reassuring, warm and familiar gesture. The timeless lines, soft and all embracing design, adaptability and versatile character make Cosy a padded item that offers the utmost comfort in a wide range of situations, environments and frameworks. Sectional created with of padded modular elements featuring seats with different depths and lengths; backs with different heights, either aligned or corner compositions; coffee tables and additional cushions. A highly versatile system designed for consumers to choose their favourite composition that will meet their needs and blend into any setting, environment, style and taste.

The sectional comes with bearing frame made of solid and multilayer wood, base with elastic belts, feet and concealed hook system. Variable-density foam polyurethane padding and cover in polyester wadding. The fabric covers every part of the sofa and is manufactured to enhance the softness of the sofa. In addition, the cover is completely removable.

Cosy additional cushions (with down filling and lateral strip):

- Square cushion 23"5/8 x 23"5/8 • Square cushion 19"5/8 x 19"5/8
- Rectangular cushion 29"1/2 x 15"3/4 • Lower back cushion 29"1/2 x 9"7/8. Made in Italy.

Finishes & Materials

Cover: Fabric (Cat. B/C/D/E/F/G).

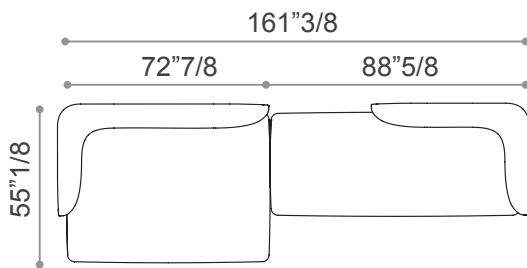
Structure: Solid and multilayer wood.

Cosy

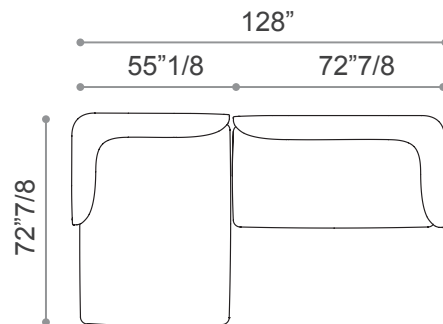
Compositions

Heights available: 27"1/2 or 31"1/2, depending on the module / composition chosen.

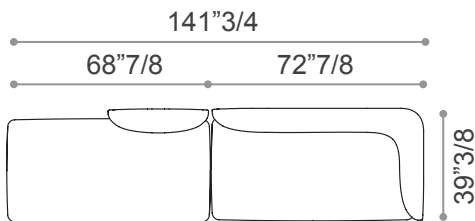
Composition A: 161"3/8W x 55"1/8D



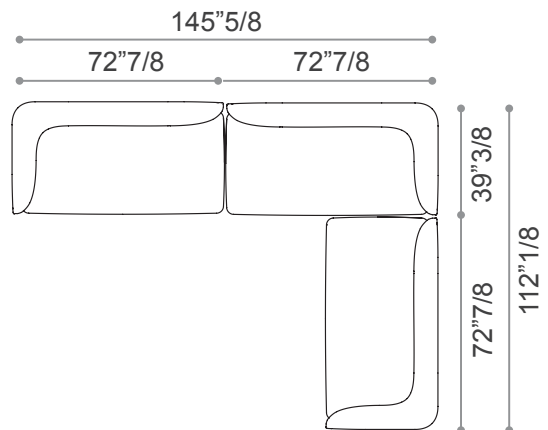
Composition B: 128"W x 72"7/8D



Composition C: 141"3/4W x 39"3/8D



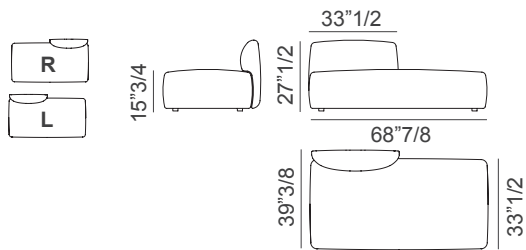
Composition D: 145"5/8W x 112"1/8D



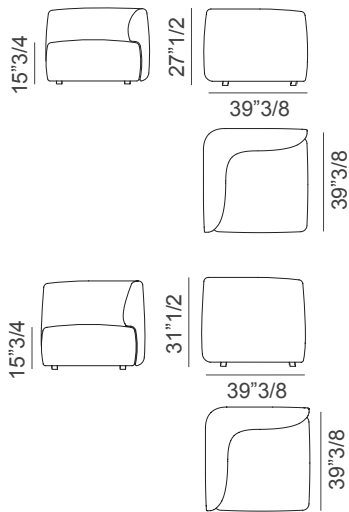
Cosy

Elements (cont.)

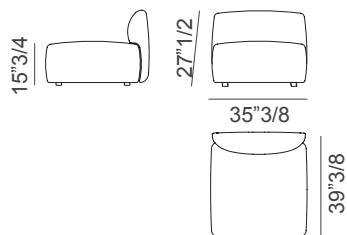
Padded modular element S



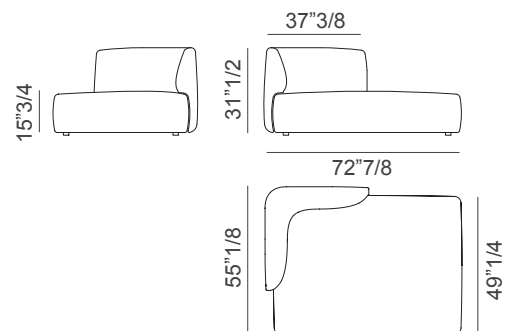
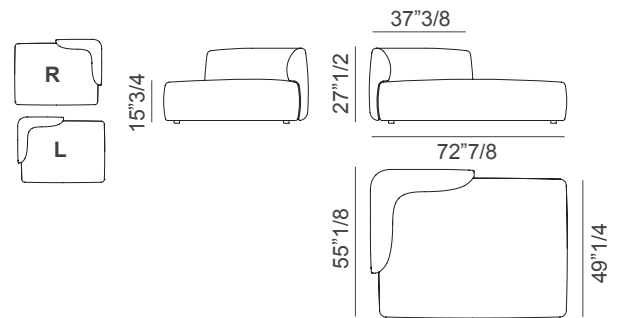
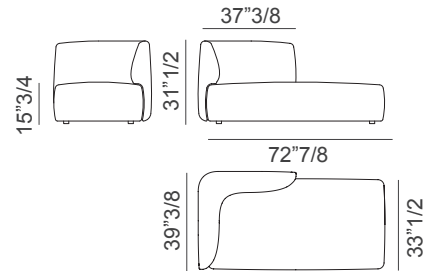
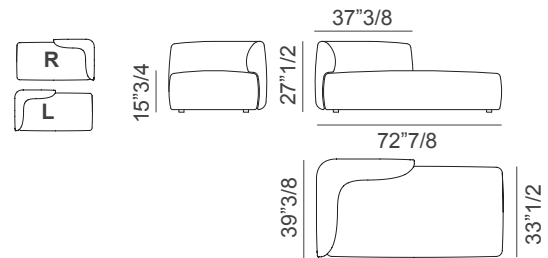
Padded corner modular element



Padded intermediate modular element

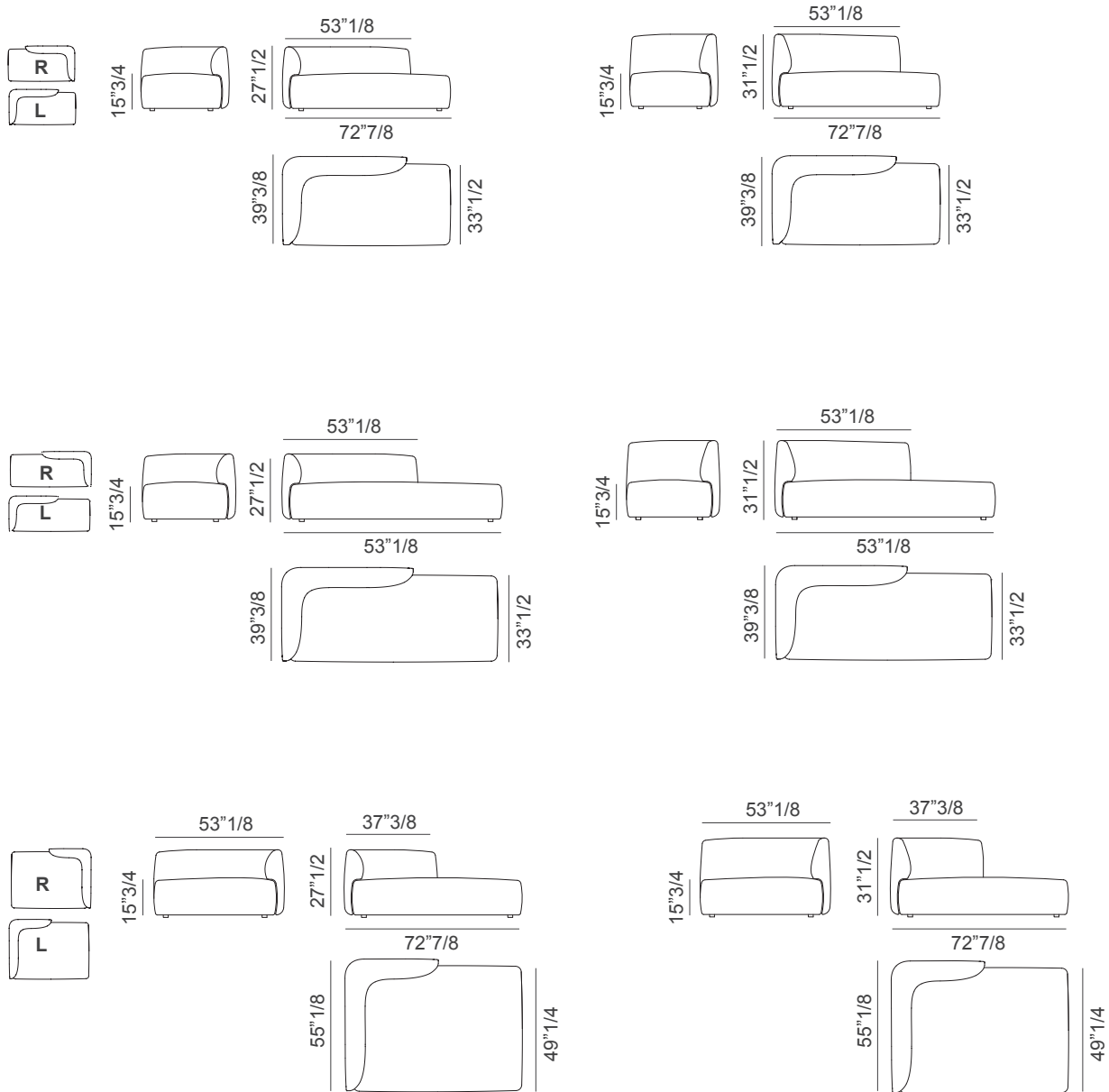


Padded modular element M



Cosy

Padded modular element L



Cosy

Padded modular element XL

