

## Arabella

*Design: Carlo Giorgetti e Massimo Scolari*



### *Description*

Swivel lounge chair featuring a right or left high armrest. Internal structure in multi-layer poplar wood and harmonic steel springs that enable the elasticity and make the backrest support ergonomic. Both seat and backrest are padded with flexible multi-density expanded polyurethane and covered with polyester fibers. The base is composed of a wood fibre panel covered with bronze painted metal and a steel device with ball bearing for the rotation. Spring-loaded wheels allow the piece to be moved easily. Completely removable covers are available in fabric or leather. A stretch fabric connects the several sections of the backrest cover facilitating the elasticity while an elastic string fixes the backrest buttons that allow the cover to be removed. A decorative cushion in fabric or leather completes the lounge chair. Made in Italy.

### *Finishes & Materials*

**Base:** Metal, painted in bronze color.

**Cover:** Fabric Cat. C, D, E, F, G, H, SP / Leather Cat. Pelle, Pelle Plus or Anilina.

\* For more specifications, please refer to the "Finishes & Materials" PDF

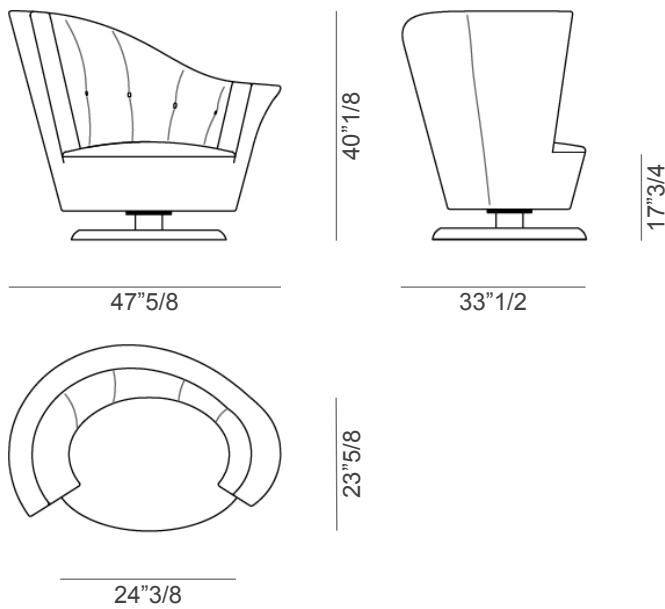
## Arabella

### Dimensions

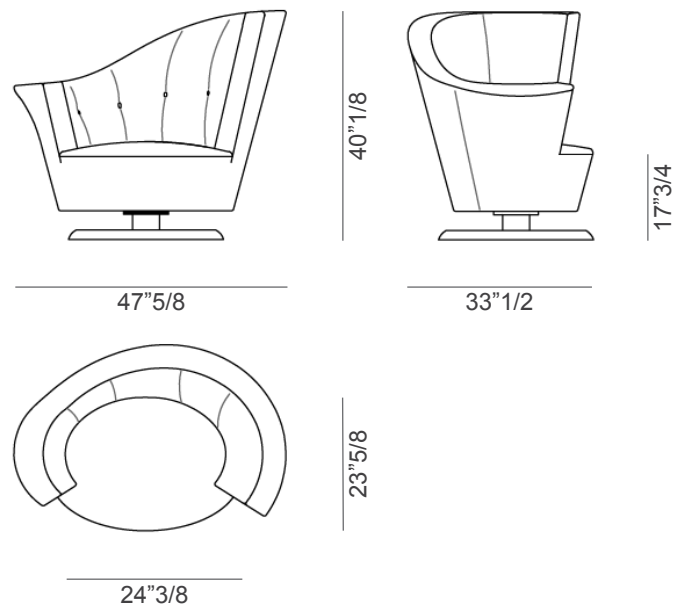
47"5/8W x 33"1/2D x 40"1/8H

Seat height: 17"3/4

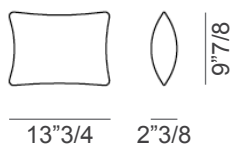
#### Right armrest



#### Left armrest



#### Decorative cushion:



\* For more specifications, please refer to the "Finishes & Materials" PDF