

Baron

Design: Roberto Lazzeroni



Description

Armchair with structure in solid canaletto walnut. Seat and backrest in expanded polyurethane, covered with fibers. Non removable covers in fabric or leather. Four legged base with painted metal feet in bronze color with a natural effect for fixed or swivel base version. Five point revolving base for rotating castors and gas spring for height regulation base version. Available in low or high backrest. Made in Italy.

Finishes & Materials

Structure: Canaletto walnut in natural (11), grey (2W) or dark (2Z) finish.

Feet: Metal, painted in bronze color with a natural effect.

Cover: Fabric Cat. C, D, E, F, G, H, SP / Leather Cat. Pelle, Pelle Plus or Anilina.

* For more specifications, please refer to the "Finishes & Materials" PDF

Baron

Dimensions

Fixed and Swivel Base

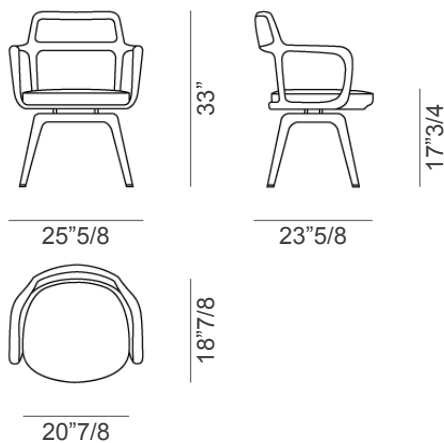
A: 25"5/8W x 23"5/8D x 33"H

B: 25"5/8W x 23"5/8D x 38"1/8H

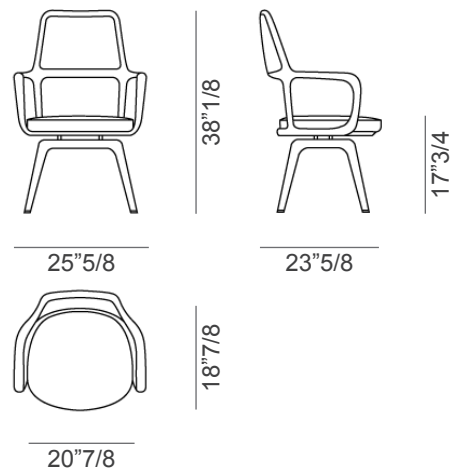
Seat height: 17"3/4

Armrest height: Approx. 25"5/8

A



B



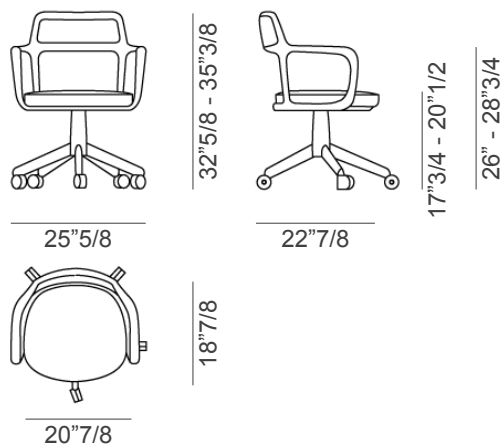
C: 25"5/8W x 22"7/8D x 32"5/8H. Max.H: 35"3/8

D: 25"5/8W x 22"7/8D x 37"3/4H. Max.H: 40"1/2

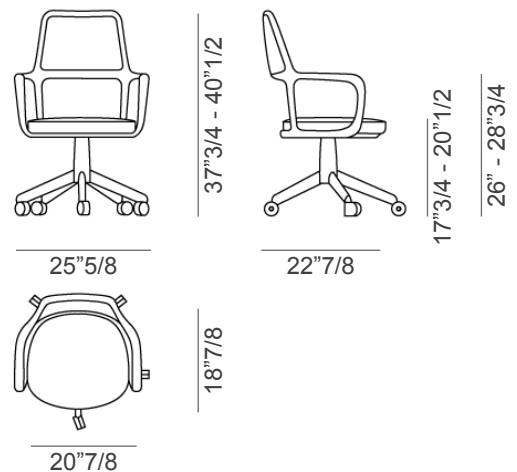
Seat height: 17"3/4 to 20"1/2

Armrest height: 26" to 28"3/4

C



D



* For more specifications, please refer to the "Finishes & Materials" PDF