

Drive

Design: Carlo Colombo



Description

Sectional with profiled steel structure and padding in flexible multi-density polyurethane, covered with fibers. Covers in fabrics or leathers as per collection or customer's own material, with a leather piping available in various shades to outline the sofa's silhouette. Covers are removable, except for the base. Feet in solid canaletto walnut with painted inserts in bronze color with a natural effect. A set of two goose down filled decorative cushions with removable covers in fabric or leather is recommended for each module of the sectional. Made in Italy.

Finishes & Materials

Cover: Fabric or Leather

Feet: Wood

* For more specifications, please refer to the "Finishes & Materials" PDF

Drive

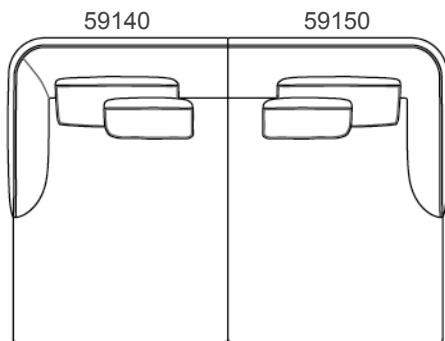
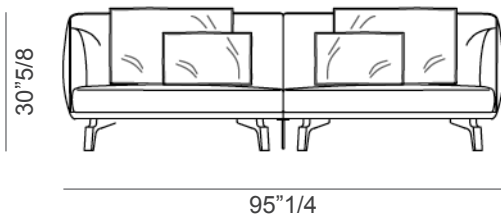
Dimensions

Composition 1:

95"1/4W x 66"1/2D x 30"5/8H

Seat height: 16"1/8

Armrest height: 26"3/4



Decorative cushions:

(2x) 18"7/8 x 11"3/8

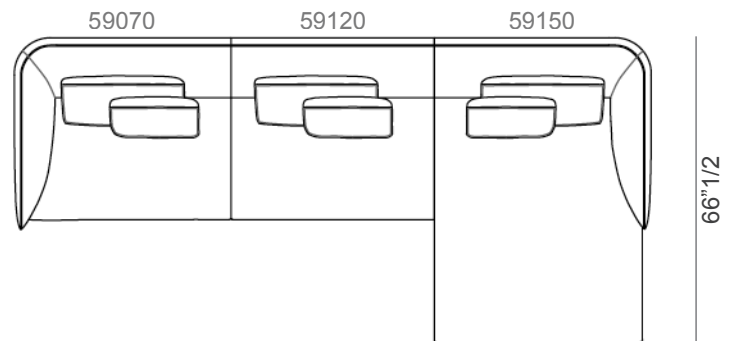
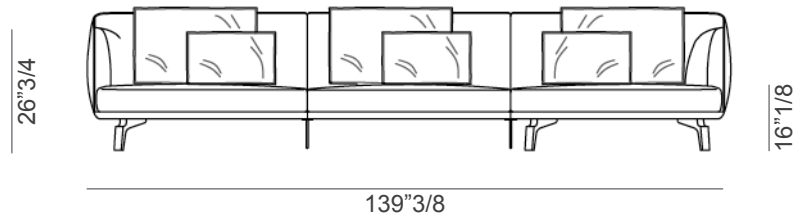
(2x) 24"3/4 x 16"1/2

Composition 2:

139"3/8W x 66"1/2D x 30"5/8H

Seat height: 16"1/8

Armrest height: 26"3/4



Decorative cushions:

(3x) 18"7/8 x 11"3/8

(3x) 24"3/4 x 16"1/2

* For more specifications, please refer to the "Finishes & Materials" PDF

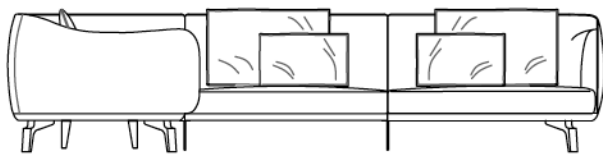
Drive

Composition 3:

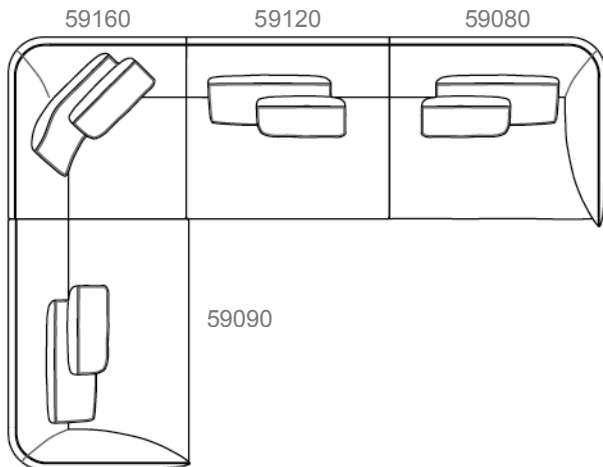
129"1/2W x 93"D x 30"5/8H

Seat height: 16"1/8

Armrest height: 26"3/4



129"1/2



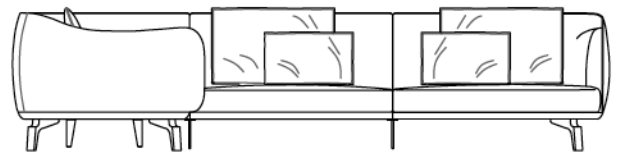
93"

Composition 4:

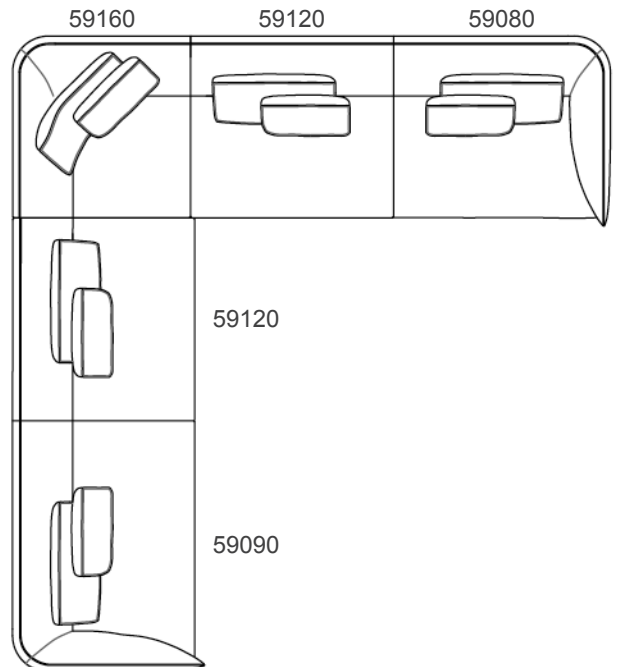
129"1/2W x 137"D x 30"5/8H

Seat height: 16"1/8

Armrest height: 26"3/4



129"1/2



137"

Decorative cushions:

(4x) 18"7/8 x 11"3/8

(4x) 24"3/4 x 16"1/2

Decorative cushions:

(5x) 18"7/8 x 11"3/8

(5x) 24"3/4 x 16"1/2

* For more specifications, please refer to the "Finishes & Materials" PDF

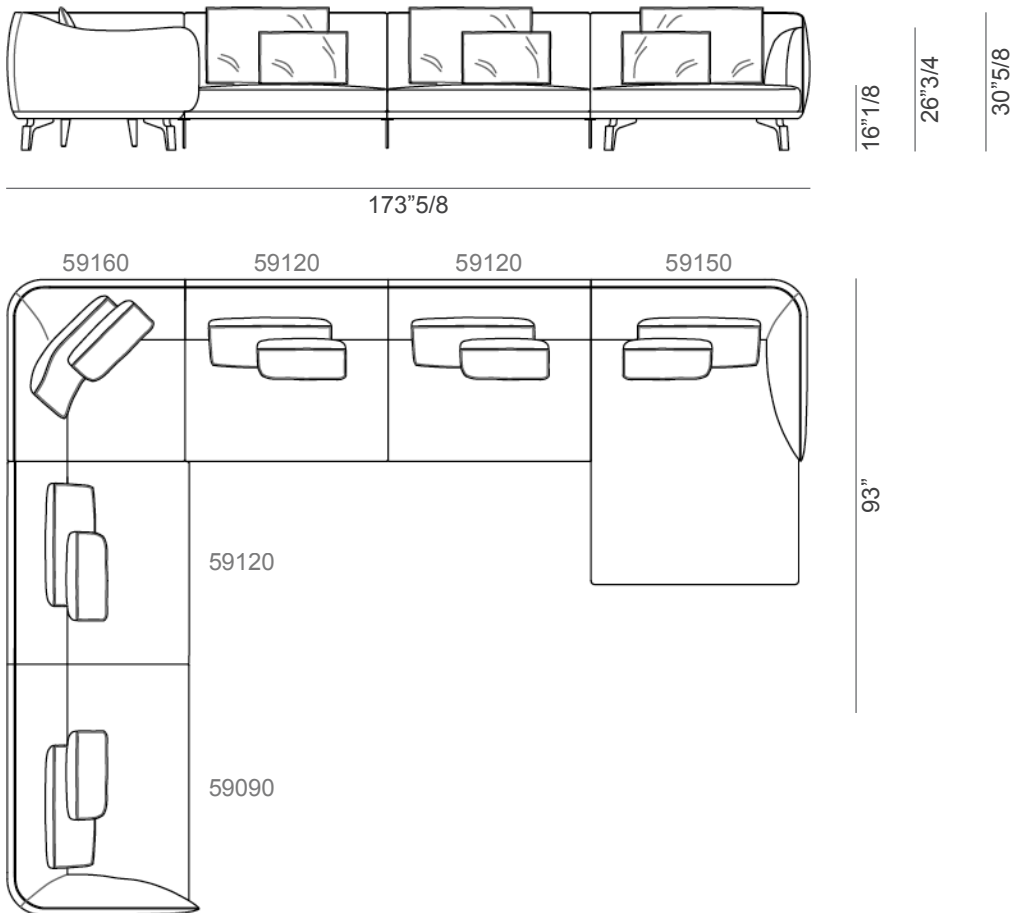
Drive

Composition 5:

173"5/8W x 137"D x 30"5/8H

Seat height: 16"1/8

Armrest height: 26"3/4



Decorative cushions:

(6x) 18"7/8 x 11"3/8

(6x) 24"3/4 x 16"1/2

* For more specifications, please refer to the "Finishes & Materials" PDF