

Erasmuso

Design: Massimo Scolari



Description

Desk with structure in canaletto walnut, wood particles and Toulipier, with canaletto walnut veneer. The top is available in the following versions: Ebony Macassar veneer (34), saddle leather (various shades), Sapelle Pomelle Mahogany veneer in biscuit (2E), ash grey (2F) and carbon (2G). Available with or without a cable holder and adaptor placed in the top, predisposed for USA sockets + 2 RJ45. On both sides of the top, there are two standard, extractable drawers so that the desk may be used either on the right or on the left side; the internal base of the drawers is available in natural saddle leather for the versions with the top in ebony or in the same saddle leather chosen for the top. The side chest with 3 drawers, two shallow and one deep, is in curved plywood with canaletto walnut veneer. Each drawer features an independent opening system that can rotate 360° thanks to the Arnite spacers inserted along the metal rod. In the standard version, a special system on the inside of the chest of drawers allows the them to open in one direction. The chest of drawers is equipped with two standard mechanical locks for right or left fastening. The knobs are in canaletto walnut with details in satin-finished nickel metal. The base of the chest of drawers as well as the tip of the desk's leg are in satin-finished nickel metal.

* For more specifications, please refer to the "Finishes & Materials" PDF

Erasmus

Description (cont.)

The following accessories are available for the drawers incorporated to the top: A divider with pen holder in canaletto walnut with finish matching the structure, or an internal sliding top in natural saddle leather for the versions with top in ebony, or in the same saddle leather chosen for the top. A modesty panel in curved plywood with canaletto walnut veneer same finish as the structure, is also available. The panel is hinged for opening and closing and it is fixed to the structure of the chest of drawers, which has been already predisposed for right or left-hand mounting. A runner is placed on the base of the panel to facilitate movement. Note: it is necessary to specify the right or left-hand mounting of the modesty panel, when the order is submitted. Made in Italy.

Finishes & Materials

Structure: Canaletto walnut veneer in natural (11), grey (2W) or dark (2Z) finish.

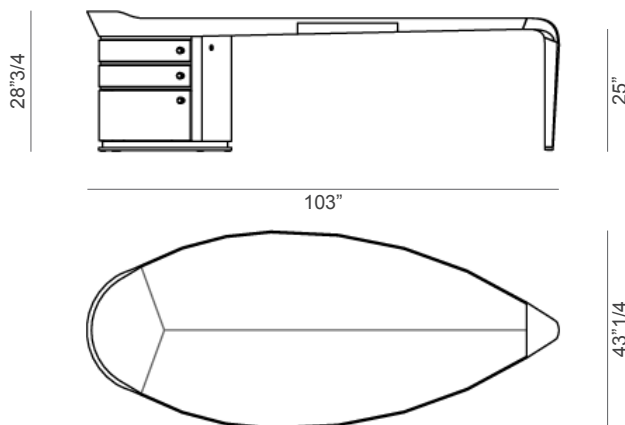
Top: Ebony Macassar veneer (34), saddle leather or Sapele Pommelle Mahogany veneer in biscuit (2E), ash grey (2F) or carbon (2G) finish.

Handles: Canaletto walnut and glazed nickel-plated galvanized metal.

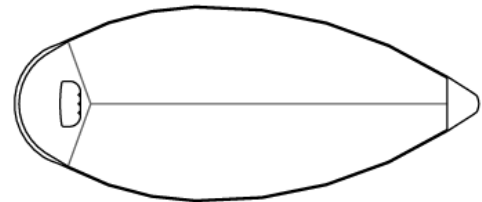
Feet: Glazed nickel-plated galvanized metal.

Dimensions

103"W x 43"1/4D x 28"3/4H



With Cable holder and adaptor

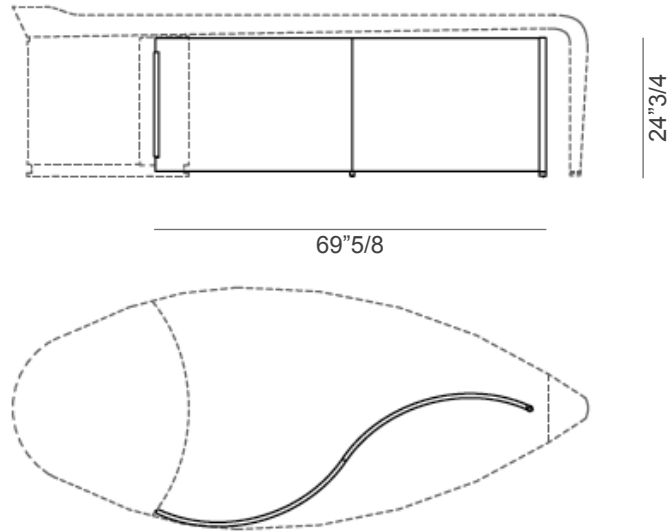


* For more specifications, please refer to the "Finishes & Materials" PDF

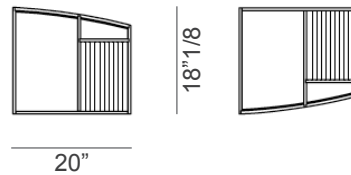
Erasmo

Optionals

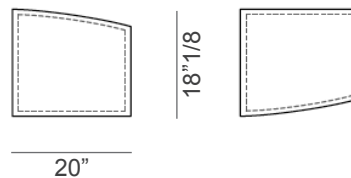
Modesty panel
69"5/8W x 24"3/4H



Drawer divider
20"W x 18"1/8D x 5/8"H



Sliding top for drawer
20"W x 18"1/8D x 1"1/8H



* For more specifications, please refer to the "Finishes & Materials" PDF