

Tie

Design: m²atelier



Description

Chair with structure in poplar plywood. Removable covers in fabric or leather, with back opening and leather detail. Matching piping. Made in Italy.

Dimensions

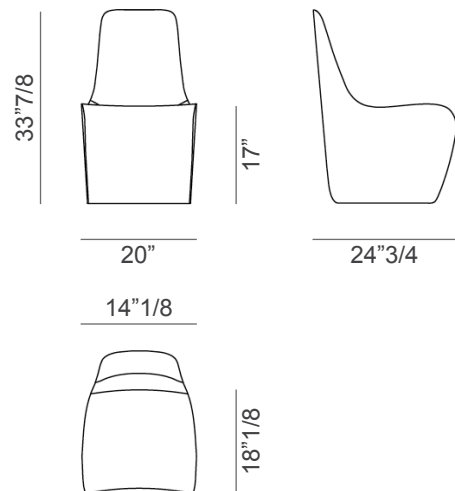
20"W x 24"3/4D x 33"7/8H

Seat height: 17"

Finishes & Materials

Cover: Fabric or Leather

Piping and back detail: Leather



* For more specifications, please refer to the "Finishes & Materials" PDF