

# Flow

*Design: Jean Marie Massaud*



## *Description*

A family of seatings of great impact and comfort. Designed for the home, the office and the community areas. Available with a wide range of bases and finishes.

In both versions, the armchair can be completed with upholstery: a thermoformed padded countershell with a small pad made from quilted polyurethane and polyester wadding. The padded versions can be upholstered in fabric or leather. The upholstery is removable.

This model features a base with central leg produced in aluminum painted with epoxy powder in a wide range of colors matching the shell. 360° swivel. Made in Italy.

## *Finishes & Materials*

**Shell:** Painted in matt colors.

**Aluminum base:** Painted in matt colors.

**Padded version cover:** Fabric (Cat. B/C/D/E/F/G) / Leather / Nabuk.

\* For more specifications, please refer to the "Finishes & Materials" PDF

## Flow

---

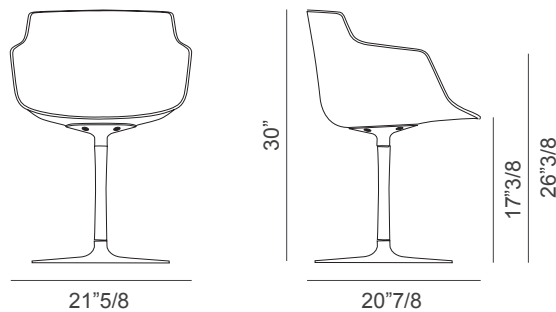
### *Dimensions*

21"5/8W x 20"7/8D x 30"H

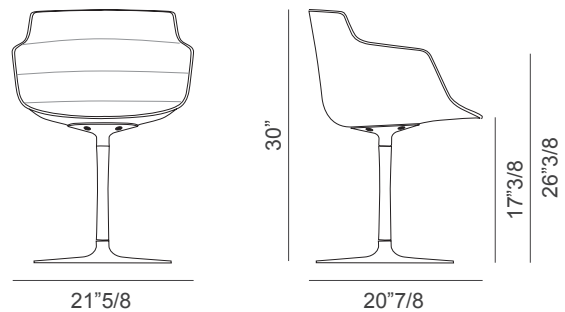
**Seat Height:** 17"3/8

**Armrest Height:** 26"3/8

#### WHITE OR COLORED SHELL



#### PADDED SHELL (COUNTERSHELL)



As an optional, an upholstered PAD made with polyurethane and polyester wadding, and with quilting that is thermally bonded to the fabric, is available upon request. This special manufacturing technique endows the texture patterns and the padding with a three-dimensional look, while ensuring quality and durability over time. Because of these special features, the upholstery covering cannot be removed.



\* For more specifications, please refer to the "Finishes & Materials" PDF