

## Flow

*Design: Jean Marie Massaud*



With mass-pigmented shell



With mass-pigmented shell and padded countershell

### *Description*

A family of seatings of great impact and comfort. Designed for the home, the office and the community areas. Available with a wide range of bases and finishes.

This office chair version comes with a shell, made from polycarbonate through injection moulding, which is mass-pigmented in matt colors and has a standard double finish: gloss outside, and microfoffered inside. It can be completed with upholstery: a thermoformed padded countershell with a small pad made from quilted polyurethane and polyester wadding. The padded versions can be upholstered in fabric or leather. The upholstery is removable.

This chair has a height-adjustable 5-point-star base on castors, made of die-cast aluminum, painted matt matching the shell color. Castors are in the same color of the base. Height adjuster (16"1/4 \ 20"1/8) crafted in steel. 360° swivel. Made in Italy.

### *Finishes & Materials*

**Mass-pigmented shell:** Painted in matt colors.

**Padded version cover:** Fabric (Cat. B/C/D/E/F/G) / Leather / Nabuk.

**Aluminum base:** Painted in matt colors.

\* For more specifications, please refer to the "Finishes & Materials" PDF

## Flow

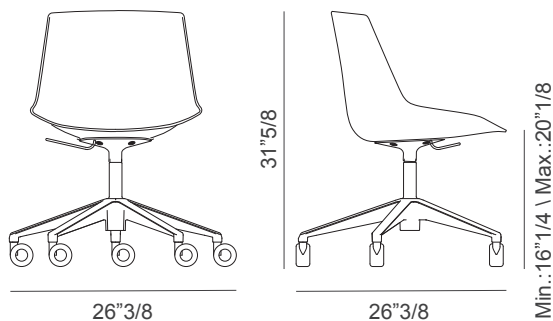
---

### Dimensions

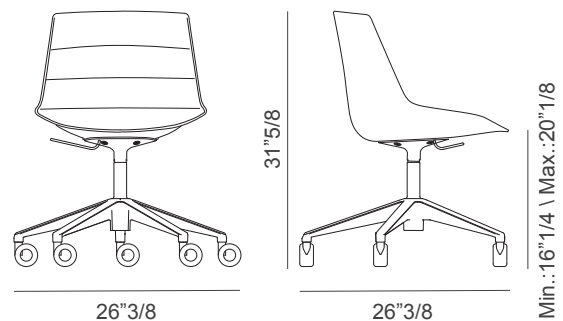
**Chair:** 26"3/8W x 26"3/8D x 31"5/8H

**Adjustable Seat Height:** Min.: 16"1/4, Max.: 20"1/8

#### WHITE OR BLACK SHELL



#### PADDED SHELL (COUNTERSHELL)



As an optional, an upholstered PAD made with polyurethane and polyester wadding, and with quilting that is thermally bonded to the fabric, is available upon request. This special manufacturing technique endows the texture patterns and the padding with a threedimensional look, while ensuring quality and durability over time. Because of these special features, the upholstery covering cannot be removed.



\* For more specifications, please refer to the "Finishes & Materials" PDF