

Flow Filo

Design: Jean Marie Massaud



Description

Part of the Flow family, this chair has a great visual impact. Created with steel rods and characterised by special finishes, the outline, the volume, exalting the timeless shape of a product that has become an icon of international modern design.

Load-bearing frame in steel rods, of different diameters, with original sled base design, epoxy powder-coated in matt bronze or black nickel finishes, with a specific treatment for outdoor use.

Also, as an optional, a pad made by molding in soft integral polyurethane, in matt mud and anthracite grey colors, is available upon request. This particular soft integral polyurethane is called Free Form, with a smooth soft touch surface, with a good mechanical and aging resistance. Available in the seat and backrest version. Made in Italy.

Finishes & Materials

Steel structure: Matt painted bronze / Matt painted black nickel.

Optional polyurethane seat & backrest pad: Mud brown / Anthracite grey.

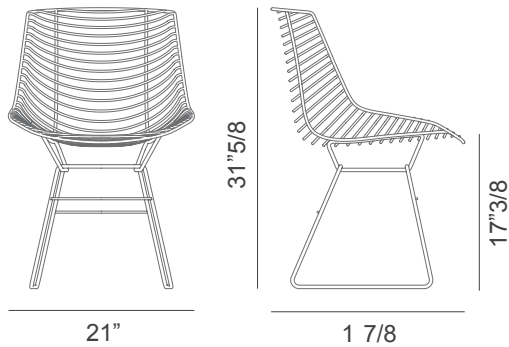
* For more specifications, please refer to the "Finishes & Materials" PDF

Flow Filo

Dimensions

Chair: 21"W x 21"7/8D x 31"5/8H

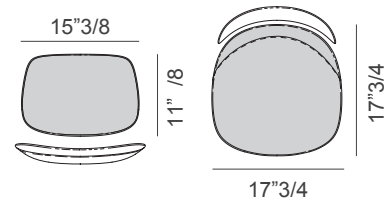
Seat height: 17"3/8



UPHOLSTERED PAD (optional)

Backrest pad

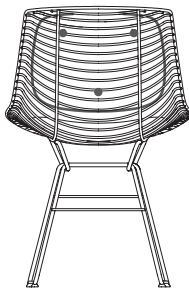
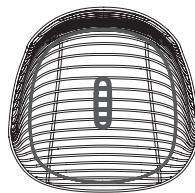
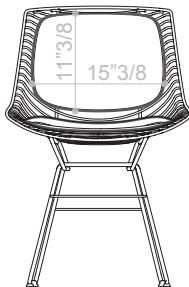
Seat pad



SEAT PAD / BACKREST PAD EN POLYURETHANE

Backrest pad fixing position

Seat pad fixing position

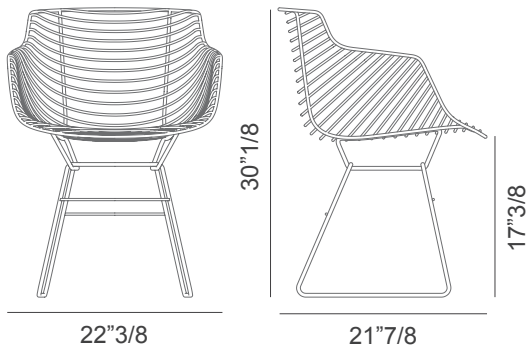


Flow Filo

Dimensions

Armchair: 22"3/8W x 21"7/8D x 30"1/8H

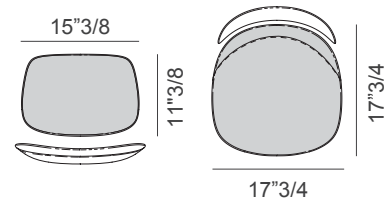
Seat height: 17"3/8



UPHOLSTERED PAD (optional)

Backrest pad

Seat pad



SEAT PAD / BACKREST PAD EN POLYURETHANE

Backrest pad fixing position

Seat pad fixing position

